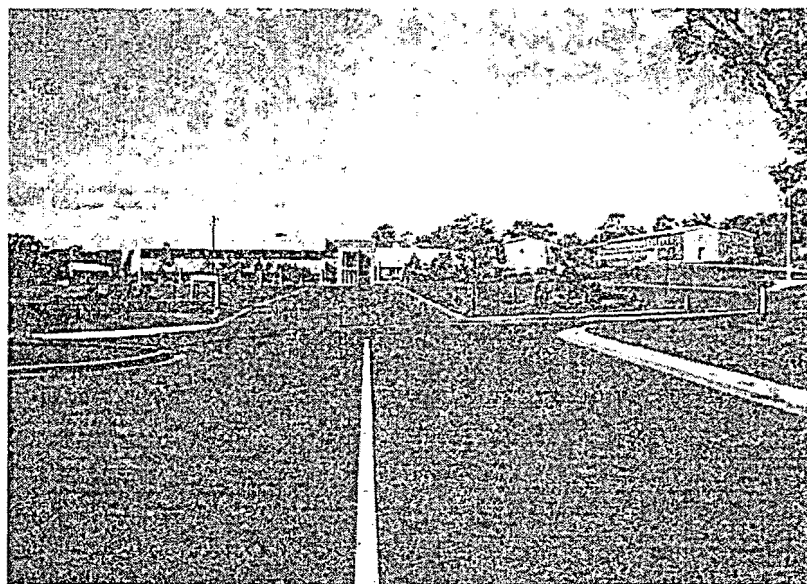


# 1998-99 RAA LIAISON LETTER



---

## CONTENTS

Colonel Artillery's Message	2
Representative Colonel Commandant	3
CI – School of Artillery	4
Regimental Master Gunner	5
1999 – The RAA's Centenary	
LTCOL Arthur Burke (Retd)	6
Into the Breech	
– A Historical Reflection on the Australian 4 <sup>th</sup> Field Artillery –	
LTCOL Arthur Burke (Retd)	7
RAA Training from the Combat Arms Training Centre	
MAJ Terry Nichols	9
<b>Unit Roundup:</b>	
8 <sup>th</sup> /12 <sup>th</sup> Medium Regiment	10
7 <sup>th</sup> Field Regiment	12
1 <sup>st</sup> Field Regiment	13
53 Independent Training Battery	14
The Artillery Historical Trust of Tasmania	
– Northern Branch	17
Royal Australian Artillery Historical Society of WA (Inc)	20
1998/99 Officer Postings	21
1998/99 Warrant Officer / SNCO Postings	35
<b>Feature Articles:</b>	
North Fort Museum: Report	44

---

## Colonel Artillery's Message



### FROM COLONEL STEVE JOSKE, CSC

This year has been another period of change for the Royal Regiment of Australian Artillery. The structural changes resulting from the disestablishment of the Directorate and Headquarters 1<sup>st</sup> and 2<sup>nd</sup> Divisional Artillery have been implemented and refined throughout the year. Phase 1 of the Restructuring of the Army (RTA) Trial has been executed with significant Gunner participation in trial units and evaluation. Further developments have been made towards providing both the Field and Air Defence Branches of the Regiment with the equipment required for training and the conduct of operations at the beginning of the 21<sup>st</sup> Century. In this environment of change, RAA units have continued to strive to achieve the tactical and technical excellence that has been the hallmark of the Regiment throughout its history.

I congratulate all who have been involved in the RTA process, particularly the Commanding Officer of 8<sup>th</sup>/12<sup>th</sup> Medium Regiment and his RTA staff. The results of Phase 1 of the Trial, the optimisation of a task force to conduct operations in defence of Australia against attack (DAA) onshore, have driven a 'stake in the sand' that signifies that the artillery regiment, as a grouping of indirect fire weapons, surveillance and target acquisition systems and, when the threat dictates, air defence, is back as the cornerstone of the task force's fighting power. The Phase 1 results have vindicated the RAA's approach in supporting the Trial with the Regiment's full physical and intellectual capacity. The wholehearted performance of the Gunners in the Fire Support Company of the trial motorised battalion has been commendable in this respect.

As RTA enters its second phase, with the development of forces for defence of regional interests (DRI), the RAA must remain committed to the process. I predict with confidence that in the future, the greater part of the Army's firepower will continue to be provided by Gunners, serving in Gunner units.

I would like to thank all of the other members of the Artillery Team. The continuing support of the non-RAA officers and soldiers who serve so professionally and loyally within our units remains critical to our success. Without the enduring support of our spouses and families, the RAA would soon disintegrate as a fighting force. Our entire Gunner training stresses the importance of team work and team spirit and we must always include the whole team in this.

I would also like to thank the leadership of the RAA. Commanding Officers, RSMs, Battery Commanders and BSMs, together with Principal RAA Staff Officers, have continued to provide firm guidance to the Regiment throughout 1998. My particular thanks go to Lieutenant Colonels Ash Power, Bruce Armstrong, Frank Colley, Hugh Graham, Ray Brennan, Carl Wood and Jans Wynen who finish principal staff and command appointments at the end of the year.

In addition to my appointment as Colonel Artillery, I have been double-hatted as Colonel Olympic Games. As I will be unable to give the RAA my full attention in 1999, Lieutenant Colonel Heinz Mueller will direct the routine business of Land Command Artillery. That business will continue to be the provision of advice to the Land Commander on all RAA matters including firepower for RTA and major capital investment such as JP 117, the acquisition of a medium surface to air missile system (MSAM). As I stressed at the Land Command Artillery Conference, JP 117 will be the most significant capability enhancement provided to the RAA since our arrival in the missile age.

RAA unit evaluations will continue to be conducted by Land Command Artillery in accordance with the Land Commander's Directive for the Technical Control of Artillery. Evaluation will remain the cornerstone of RAA standards and an example for the other Regiments and Corps of the Army to follow. As I have mentioned in my remarks at unit evaluations this year, 'brothers in arms' conduct these exercises in a supportive spirit. Their purpose is to provide appraisals that will be considered in the design of unit training programs and, in so doing, maintain high levels of efficiency and safety across the Regiment.

The position of the RAA in the Australian Army of the future is secure. In order to ensure that our standing remains critical to mission success, we must continue to provide fire that is safe to ourselves and the forces that we support, and is focused on the decisive destruction of the enemy, wherever and whenever he presents himself as a target. My observations, and those of my staff, indicate that you are all maintaining standards in gunnery that fulfil this vision and for that I offer my congratulations and thanks.

## From the Representative Colonel Commandant

Fellow Gunners,



It is now 18 months since the disestablishment of the Directorate of Artillery. The 1997 RAA Liaison Letter informed us of the changes of responsibility that this would cause and it recognised the need for us all to provide strong support to those who were to inherit additional tasks, particularly the Honorary Head of the Regiment, Brigadier Kilpatrick. Unfortunately, we were not able to foresee just how telling some of those changes would prove. Much additional work has fallen on the School of Artillery and Land Command Artillery. I thank and congratulate the Chief Instructor, School of Artillery and the Colonel, Land Command Artillery and their respective staffs, for the way in which they have willingly run with the unforeseen loads that have been thrust upon them.

On a brighter note, the outcome of the RTA trials has been very successful for the RAA. We were heavily involved in testing the radical organisational structures that were proposed, particularly for the devolution of command of artillery. Not surprisingly, the trials demonstrated, as has been recognised time and time again in the past, that command of artillery must be retained at the highest practical level. Embedding of battery and even smaller artillery elements into supported arms units has been recognised as ineffective employment of our powerful resources.

A further measure of recognition of the importance of artillery firepower has been the recent decision to create an additional medium battery in 8<sup>th</sup>/12<sup>th</sup> Medium Regiment and to bring the planned move of the Regiment to Darwin forward by one year.

On behalf of all members of the RAA, I offer congratulations to 1<sup>st</sup> Field Regiment on the recent celebration of the 50<sup>th</sup> Anniversary of its formation.

In the 1997 liaison letter, I noted that the sources of funds for Regimental Committee activities are profits from The Regimental Shop and donations from RAA members. I made an appeal to all of you to recognise the importance of heritage matters and to assist in funding them. Unfortunately, the response to this appeal has been very disappointing. Many units have contributed nothing to the Regimental Fund for some years, despite annual appeals being made to them. Therefore, when 1<sup>st</sup> Field Regiment sought funding assistance to build a 50<sup>th</sup> Anniversary monument, the Regimental Committee was not able to grant as much as desired. Since then the School of Artillery has donated \$10,000 to the Fund, being \$5,000 from each of its Officers' and Sergeants' Messes. The rationale behind this donation was the recognition that Gunners, including students, visiting the School make a significant financial contribution towards the Regimental Messes. I express my gratitude to the officers, warrant officers and sergeants of the School for their vision in making this very substantial contribution to maintaining our heritage.

*subscriptions*

## CI School of Artillery

The changes in the School of Artillery with the demise of the Heads of Corps and the introduction of the Army Combat Arms Training Centre (ACATC) have combined to make the production of the RAA Liaison Letter a far more challenging process than ever before. The Regt Committee needs our support and the available time and staff effort is rapidly reducing hence some of the delays in the production of this issue. I have elected to try a new system for the next issue and will be coordinating the production from the School of Artillery. The RAA Liaison Letter can only be produced with input from Gunners of all ranks both serving and non-serving and to achieve a professional result I will be calling for timely and well-edited contributions. It is appropriate to note that the next Liaison Letter will be the last featuring the School of Artillery due to its pending re-titling as Offensive Support Division of the ACATC.

The School has undergone a number of changes in preparation for the next phase of re-organisation under the auspices of the HQ ACATC. The Wings are now Fire Support, Ground Based Air Defence and Surveillance and Target Acquisition, with the HQ and 53<sup>rd</sup> Independent Training Battery making up the complete package. The functional groupings include Mortar and Direct Fire Support Weapons training for Ofpr and NCO. The Signals Training Section is moving to the School of Armour to be part of the Communications Wing. The changes are part of the integration of training that has driven the formation of the ACATC. We at the School are mindful of the traditions and standards that have been the hallmark of the Gunners are not going to accept anything less in the interests of saving staff positions or money.

The School is in good shape and despite the changes coming thick and fast the training has continued unabated. I look forward to reading the many and varied contributions for the next issue of the RAA Liaison Letter.

## From the Desk of The Regimental Master Gunner

Since my appointment as the Regimental Master Gunner in Jan 98, we have all seen the School of Artillery go through significant changes. At no stage in my long career have we had such a tumultuous period of disruption, particularly with the preparation and then the move from Nth Head to Puckapunyal. To the credit of all those involved in the planning and then the move to Puckapunyal it has been a very smooth and trouble free transition from the old to the new.

There are still a lot of changes occurring within Army, and consequently some of these changes will effect training organisations as they head towards their new structures. This will have a flow on effect to the Arty School and the manner in which it currently operates. A significant change effecting the School is the formation of the Combat Arms Training Centre (CATC) at Puckapunyal which has assumed command over the four combat schools. Under the CATC umbrella additional changes that may effect the School are likely to include colour patch's, flags, unit title of schools, messes and in a host of other ways yet to be fully determined. The changes are discussion points or topics for conversation and heated debate. Those posted to any instructional or support position within the CATC for duty at the Arty School will continue to perform the same tasks and duties.

The continuing changes within the CATC will have some effect on the RAA WO1 positions within the new organisation. The four combat schools will maintain a pacesetter carrying WO1 with an additional WO1 position at the CATC. The WO1 at CATC will be the corps RSM/RMG working for the Comdt.

With greater emphasis being placed on change and the need to restructure we have had and become more efficient. The restructure of most of the Arty trades is well underway with only the cross / migration training needing to be completed, this can only be achieved with the full support and cooperation of everyone, recognising that it will be more difficult for our part time soldiers. This greater efficiency this has not gone unrecognised, where recently pay cases for the restructured Artillery trades were successfully put to the DFRT.

Although there is a lot of change the most important issue for all those posted as instructors to any training establishment is, maintaining the focus on the delivery of high quality training. Maintaining the highest professional level of instructional standard will ensure that trainees completing any course at the Arty School are ready to perform at a level not only to win the battle with fire power but to do it effectively, efficiently and safely.

The fear of the unknown because of rumour, innuendo and ignorance has, and is still causing some anxiety amongst those who have been or about to be posted to the School of Artillery at Bridges Barracks, Puckapunyal. The reality is the School now occupies the most modern training facilities available within the defence force. The new facilities provide a unique opportunity to those posted to Puckapunyal to further develop their professional instructional skills particularly in the use of computer based and electronic delivery techniques.

Puckapunyal offers all the social and sporting activities found within any community and with the continued expansion of the Puckapunyal Military Area (PMA) greater emphasis is being placed on the social needs of families with assistance in finding suitable spouse employment, further education, child care and the list goes on.

I have enjoyed my posting as the RMG, and to be appointed to the senior OR position in Artillery is a highlight of my career. For those who aspire to become RSM/RMG and beyond be proficient, stay fit and most importantly have fun and enjoy the successes you deserve.

To those moving on postings and promotion at the end of the year enjoy your new postings travel safely and congratulations, have a merry Christmas and happy and fruitful new year and remember all good things come to those who perform at the highest level, and have patience.

## 1999 – the RAA's Centenary

### Arthur Burke

Did you know that on 14 July 1999 the Royal Regiment of Australian Artillery will celebrate the centenary of its foundation?<sup>1</sup> Yes, the Gunners led the way to Australia's Federation. And perhaps even more surprisingly, the first moves began as far back as 1881 when the fledgling colonies in the antipodes appreciated their need for a united front to shore up a vulnerability which had been exacerbated by the withdrawal of Imperial troops from Australian shores in 1870.

At the 1881 Royal Commission on Military Defences in Sydney, President Chief Justice Sir James Martin together with Major General Scratchley and the commandants of NSW, Victoria and South Australia were unanimous in advocating the formation of a Federal Regiment of Artillery for ten garrison batteries, two of which were situated in Victoria.<sup>2</sup> Ten years later, Lieutenant Colonel D.C. Dean-Pitt, then Commanding Artillery in Victoria again proposed a Scheme for a Federal Australian Regiment of Permanent Garrison Artillery consisting of eight service and three depot batteries.<sup>3</sup> The Colonial Defence Committee in London considered a submission on this matter in 1894 but could see no value to Imperial defence.<sup>4</sup> The Draft Federal Defence Agreement produced by the 1896 Federal Military Conference again strongly recommended a Federal Regiment as an essential factor in the future efficiency of the Defence Forces of Australia.<sup>5</sup>

Twelve months later a further submission to the Colonial Office received a more sympathetic hearing. The Colonial Conference in 1897 was timed to coincide with Her Majesty Queen Victoria's Diamond Jubilee, a celebration which involved over 70,000 colonial troops from all over the Empire. Colonial Secretary, Joseph Chamberlain advised that he be prepared to submit for Her Majesty's approval a proposal for the amalgamation of the NSW, Victoria and Queensland Permanent Artillery units.<sup>6</sup> On 14 July 1899, Chamberlain wrote to the respective Governors of the colonies:

*I have the honour to inform you that Her Majesty the Queen has been graciously pleased to approve the proposal that the Permanent Artillery of New South Wales, Victoria and Queensland should, in future, be designated the New South Wales, Victoria, and Queensland Regiments of the Royal Australian Artillery.<sup>7</sup>*

Though this only concerned the Permanent Artillery of the three colonies, it was seen as a positive step towards Federation. The outbreak of the Boer War on 11 October 1899 put paid to any effective development of this scheme, but the Gunners had created the first template for unification of the Australian colonies.

So, as we enter the 99<sup>th</sup> year of our illustrious Corps' existence, what is being planned to celebrate our centenary? Since the titular head (the Director) has been severed from the body of the RAA by the recent reorganisation, who will provide the strong hand needed at the helm to guide us towards this milestone? Here is the ideal opportunity for the Regimental Committee of the RAA to show the strength of its hand as the protector of the traditions, facts and folklore of our Corps. Now is the time to play that key trump to ensure the significance of 100 years of the Royal Regiment of Australian Artillery is celebrated in true Gunner style – with a bang!

*Arthur Burke is a keen RAA historian who provides an honorary service to 4<sup>th</sup> Field Regiment and 105<sup>th</sup> Field Battery, both of which he commanded during his 33 years as a Gunner. He was also supported by the Directorate of Artillery in writing a history of the Australian 4<sup>th</sup> Field Artillery, a project due for completion in the year 2000.*

1. David Horner in *The Gunners* (page 41) cites 4 July 1899 as the date of the initiating dispatch from London. This is believed to be a typographical error.
2. AA (VIC); B3756/1889/2684, a manuscript brief by M.F. Downes MP (updated).
3. AA (VIC); B3756/1891/1145, document 2685 (undated).
4. *Report on Federal Military Conference*, Colonial Defence Committee, 21/11/1895, Horner, p.39.
5. *Report of the Intercolonial Military Conference*, Sydney, 29/1/1896, PRO, CAB 11/23 (Horner p. 40).
6. Correspondence in NLA, CO 201/625, reel 1899 (Horner p. 40).
7. VVG, 1899, Vol. CIX, 97 of 17/11/1899.

## Into the Breech

### A Historical Reflection on the Australian 4<sup>th</sup> Field Artillery

#### **Arthur Burke**

*The Gunner relaxed and proudly looked down from Mount Stuart across his regimental Chau Pha Lines, the City of Townsville and out to Cleveland Bay where the setting afternoon sun still tinted tropical Magnetic Island. It had been a good day in the life of the 4<sup>th</sup> Field Artillery. The commanding officer had been very pleased with their display for the visiting General: if the CO was happy, The Gunner was happy.*

*He stretched his tired muscles thinking that, though he looked the part of a fit and tanned Digger, his almost 150 years of heritage sometimes belied this facade. The Gunner lay back with a smile and rested his eyes ... he thought he could hear 'British Grenadiers', the Regimental March vaguely in the distance ... he heard a round of ammunition slammed into the breech of a Hamel Gun ... the strident regimental air swelled and the gun fired ... he seemed to be flying along with the projectile ... out into the void and up to the vertex ... then plummeting downwards as the 'Grenadiers' beat continued...*

*The Gunner's mind became a kaleidoscope of 4<sup>th</sup>'s images ... conducting civil affairs in Somalia, shooting from a fire support base in Vietnam, manhandling guns on Bougainville island, under camouflage in the blistering Syrian sun of 1941...*

*... down he plummeted back through the time tunnel of Militia gunners training in gas masks between the wars, the devastated, cratered landscape and the mud of the Great War ... the fledgling Federation field gunners. To the fading airs of the 'British Grenadiers', he saw the smart blue jackets with the red facings of the colonial gunners ... then they also faded...*

*'Free-sent arms!' thundered the guard commander and the soldiers lining the entrance to the Victorian Legislative Council building crashed their palms against rifle woodwork and stamped their feet in perfect compliance. The members of the Council which administered the affairs of the three year old Colony of Victoria filed through the ranks of the soldiers from the 40<sup>th</sup> (2<sup>nd</sup> Somerset) Regiment of Foot. The Gunner followed them, marvelling at the splendour of the uniforms of the Imperial soldiers, but wondering deep down just how long they would continue to defend the novice Colony.*

\*\*\*\*\*

These reflections are a brief cameo of a lineage, which takes the reader from a modern 4<sup>th</sup> Field Artillery unit in Townsville back to roots in colonial Victoria. Unfortunately, this potentially proud heritage has never been consolidated and by the very nature of this diversity, the thread of the lineage is not obvious. Little has been written about any Australian gunner unit whose life spans more than half a dozen years. Doctor David Horner in his 1995 book *The Gunners* points out that it is the first complete history of the Australian artillery. Before this, there were numerous stories of gunner units covering predominantly war years but only one Royal Australian Artillery unit history which spans the development of our nation – *A History of 'A' Battery* by Richmond Cubis, written following that unit's centenary in 1971.

So why then the 4<sup>th</sup> Field Artillery? Are there, for example, any particular historical, social or military issues, which could be better, understood by telling its story? Who is 'The Gunner' and what are his qualifications to comment on the values or activities of this unit?

The Gunner is the vehicle by which the author has chosen to comment on events, policies and attitudes at various times. Arthur Burke was a citizen then regular Australian artilleryman for 33 years. He began as a private soldier and retired as a lieutenant colonel in 1993. Commissioned during the Army's expansion for the Vietnam War, he saw active service on the gun line and as a forward observer with the infantry. He was trained for gunnery and technical staffs in the UK and for the general staff in Australia. Colonel Burke served as an instructor in field gunnery, managed a project which produced a field gun and was the senior operations officer on Headquarters 1<sup>st</sup> Division. He commanded a field battery and the 4<sup>th</sup> Field Regiment of the Operational Deployment Force. Arthur Burke puts this experience into 'The Gunner' and provides credibility to the caricature of a soldier in the 4<sup>th</sup> Australian Field Artillery.

Horner believes that 'Gunners are a proud breed'. Their involvement in more of Australia's wars than any other element of the Defence Force is an integral part of that pride. There are many facets to gunnery but the cardinal trade of the fundamental branch of the Royal Australian Artillery is that of the field gunners. It is they who provide the close liaison with and fire support for the combat arms of the Army. The field gunner is constantly nearer to the



enemy than any of his artillery peers. His ability to concentrate firepower is immediate, accurate and intimate. This facilitates victories on the battlefield. The field gunner's unit is the regiment (or brigade as it was called until 1939) which is allocated in direct support of each infantry brigade. To avoid confusion with name changes, a generic unit title '4th Field Artillery' has been adopted.

The evolution of the 4<sup>th</sup> has several parallels. Its roots lie in the Victorian colonial era of the 1850s when Britain began withdrawing troops to support her allies in the Crimean War, an event which arguably initiated our country's struggle towards nationhood. Marching along this same path was an emerging Australian Army, a necessary substitute for the dwindling Imperial forces. The lineage of the 4<sup>th</sup> parallels this maturation, its continuity and survival providing tangible examples of colonial then federal government attitudes towards defence and defence forces.

The heart of the 4<sup>th</sup> Field Artillery is more than technical capabilities, effective firepower or survivability – it is the dedication and the professionalism of the men who give the unit a personality. It is the men who stepped into the breach when their country needed volunteers in both peace and war. Their lives reflect attitudes in society, particularly concerning such national traits as patriotism and self-reliance. The patriotism springs from the initial novelty of donning a uniform, is enhanced via the fierce patriotism in support of the Mother Country at war, and matures with the recognised need and pride in providing an effective defence for our nation. The self-reliance illustrates a social history enhanced by the spirit of the ANZACs, which has emerged today as a typically admirable Australian trait. The anecdotal evidence in this story has been obtained from diary extracts and recorded interviews. It is interwoven to provide relief from clinical facts and to provide a very real personality to the 4<sup>th</sup>.

*Into the Breach* is more than a historical reflection on the Australian 4<sup>th</sup> Field Artillery. It is more than an understanding of the social, political and military development of our nation. This is a tribute to the professionalism of the Australian field gunner.

*Arthur Burke is the honorary historian of 4<sup>th</sup> Field Artillery RAA. Since his retirement from the ARA in 1993, he has been working on Into the Breach, which he aims to publish in the year 2000. Apart from completing interviews with several of the post 1960s commanding officers, he has completed the research phases of his project and is currently writing the first draft.*

## RAA TRAINING FROM THE COMBAT ARMS TRAINING CENTRE

The Combat Arms Training Centre (CATC) was raised as a project at the commencement of 1998. On 1 Jul 98 the CATC project was given the role and responsibilities of an operating headquarters, which brought the combat arms schools under its command.

The function of the RAA within the CATC is to direct and action all of the phases of the training cycle, less the conduct phase, which is the responsibility of the School of Artillery. The CATC also has many other responsibilities on behalf of the Combat Arms, which includes advising on all matters of Occupational Health and Safety and being the Trade Sponsor the employment of soldiers within the Combat Corps.

It is this last area that has received a great deal of attention in the past 12 to 18 months. It has been the CATC's responsibility to progress the RAA Trades Restructure to the Defence Force Remuneration Tribunal during the year. This involved field visits to 131 Locating Battery in Shoalwater Bay and A Field Battery at Singleton Range. This culminated in the Court Hearing in Canberra during the early part of August. Most units would have been briefed on the effects of the case by the time the Liaison Letter is produced; thus, the details of the case are not represented here.

This RAA has made significant changes to its training regime over the past two years. These changes have been reflected in the new trade structures, which were approved by the DFRT. These changes have meant that the training given to RAA soldiers provides the Corps with a greater flexibility in employment of its personnel asset and improved capabilities on the battlefield. In considering the RAA case, the DFRT also awarded a new pay structure to the RAA, based on the training, skills, knowledge and qualifications that soldiers now receive. In many cases, these changes have seen an improvement in pay because of the increases in skills, knowledge and qualifications that our soldiers gain during their progression within the Corps.

It is anticipated that the majority of FT soldiers will convert to the new trade structure and pay system by the end of this year. However, there may be some delays in the processing of information for PT soldiers, as this has to be completed without electronic database support. Soldiers should expect to be informed in writing of their trade and the place that they will move to in the new trade structure, or any training that they are required to undertake to move successfully to the new structure.

Next year, the CATC will be in a position to execute all of its capabilities with a full staff compliment. Should anyone have concerns about RAA training or related issues, then the CATC is the point of contact. The CATC's focus for the RAA in the next 12 months is to ensure that a program of review for all RAA training is put into effect. The intention is to validate all training introduced since the commencement of the Artillery Centre Review Team in 1996 and the subsequent ratification of the RAA training regime provided by the DFRT in Aug 98. As part of this process, the CATC has been able to gather a great deal of responses during unit visits. Your continued input into the RAA training regime will be appreciated.

Thank you for your support.

## 8<sup>th</sup>/12<sup>th</sup> MEDIUM REGIMENT

8<sup>th</sup>/12<sup>th</sup> Medium Regiment remained the key RAA unit responsible for the development and evaluation of joint offensive fire concepts during the Restructuring of the Army Task Force (RTA TF) Trial.

Phase 1 of the Trial is now complete and a generic Tier 2 structure will be submitted to the RTA Steering Group. The important point for the RAA is that after extensive trialing in 6 RAR it was recommended that embedding did offer advantages; however, the advantages were not significant enough to warrant embedding. At the final Optimisation Seminar, it was decided that a Unit, which grouped the TF's sensor to shooter assets, would be raised. This unit was named the Surveillance Target Acquisition and Response Battalion to reflect the capabilities it housed. The draft structure and SED can be viewed on the Unit's homepage at [www1.tpgi.com.au/users/812mdm.tpgi.com.au](http://www1.tpgi.com.au/users/812mdm.tpgi.com.au). The SED, SOPs and Army Trials Doctrine will be handed over to 7 TF for further evaluation in 1999. In addition to RTA TF Trial commitments, A Field Battery and 103 Medium Battery completed numerous successful live fire field exercises in support of their respective manoeuvre units.

**103 Medium Battery.** 103 Medium Battery commenced the year almost immediately with the first battery live fire exercise, Supine Civet at Singleton. The Battery was again called upon to demonstrate its versatility by deploying the Light Gun due to 155 mm ammunition constraints. Designated as an 'OP' end exercise, several hours of RAAF MC-32 Macchi in the first two days honed the JOST ACO drills. On the gunline, local defence procedures were enhanced with the trialing of Project Ninox equipment provided by the School of Infantry.

In May, the Battery deployed to Puckapunyal on Exercise Tiger Charge. Other combined elements included aviation, engineers and tank support. Good use was made of the initial period of the exercise with JOSTs and gunline conducting several tactical marches and dry fire event based fireplans. A combat team attack enabled a period of static local defence for the gunline and excellent training for the JOSTs with the employment of reduced safety procedures.

Following Exercise Tigers Charge the CLOG was involved in Exercise Predators Crawl and Silicon Safari in Darwin. In June the Battery officers deployed to the School of Infantry for a 5/7 RAR (Mechanised) sponsored Warfighter Seminar. The primary aim of the seminar was to discuss the requirement for the future Army mechanised capability.

During this period, a JOST was deployed on Exercise Pacific Bond with a company from 5/7 RAR (Mechanised). The main effort of the deployment was the participation in a JRTC rotation at Fort Polk, Louisiana, USA with elements of the 25th Infantry Division Light. Other exchanges included Exercise Long Look where the Battery exchanged appointments with the British Army's 4 Fd Regt RA based in Germany. Exercise Mallee Bull saw another JOST deployed, this time to Brunei with a Squadron from 2nd Cavalry Regiment.

In July, the third live fire exercise and battery evaluation commenced at Singleton. Ex Dos Equine included CAIRS, support and elements from 5/7 RAR (Mechanised). Due to the torrential rain, the M113s of the CLOG were forced to adopt the unusual procedure of following the gunline during deployments, as invariably any B vehicle that would venture off the road would be bogged to the axles.

The main effort of the year, Exercise Phoenix saw elements of the Battery deploy to Mount Bunday Training Area and Tindal in September. The Battery's primary task was to assist the visiting US Army's B-1/17 Field Artillery Battery which deployed four M109 A6 Paladin as concept demonstrators. Their visit culminated in a firepower demonstration followed by redeployment to Tindal to conduct operations in support of 1 TF.

**A Field Battery.** Posting cycles resulted in a large changeover of key personnel, particularly into the three JOST. With all positions finalised, the year began as 1997 had ended – parachute continuation training. This had a sobering effect on all participants and refocused the battery onto the demands of parachuting.

Continuation training was followed by a week of artillery technical trade training. This saw the JOSCC and JOST deploy to Puckapunyal to utilise the excellent facilities at the School of Artillery. The gunline moved onto Holsworthy range to shake out the cobwebs and develop light scales SOP in order to more efficiently provide the level of indirect fire support required by the PBG. Trade training complete, the battery was ready to commence live firing.

The first LFX for the year was conducted at Townsville Field Training Area, commencing with a JOSCC and JOST operational drop into Townsville airport. This was a realistic jump that was highly beneficial to all involved. The exercise began at a frantic pace with the BC keen to ensure his JOST were up to the task of carrying heavy loads over long distances. Integration with Support Company, 3 RAR assets proved to be successful, drawing both sub units into a close working relationship. A four day regimental phase with 4 Field Regiment provided an excellent training opportunity, particularly as the battery generally concentrates on independent operations.

Exercise Tasman Link can be best described as the exercise that was not. The JOST suffered exposure (heat by day, cold by night) and the gunline spent most of the week with a check fire in force, due to the amount of air assets in the AO.

Three days after Tasman Link it was back into Shoalwater Bay for Ex Swift Canopy. The demands of PBG ops (no vehicles) allowed a 50 km advance to contact for the JOSCC and JOST. The guns were also doing it hard, with manhandling being the preferred mode of transport. The exercise provided many highlights, these including the development of the battalion Surveillance and Target Acquisition (STA) plan with the JOSCC at the helm, and live fire company attacks which further entrenched the battery's place within the PBG. The opportunity to conduct advanced training highlighted the current level of training within the battery.

The final major activity of the year was the battery evaluation at Singleton. Despite large manning deficiencies, all functional groups demonstrated they were ready to meet their NTM. Key personnel provided support to the exercise from 3 RAR, as well as elements of Support Company. This added reality to the evaluation and allowed assessment under realistic conditions. Again, advanced training was conducted, this time in the form of a danger close practice.

**Future.** In 1999 the Regiment will continue to contribute to the future Army by developing and trialing doctrine and structures that will best provide surveillance, targeting, acquisition and joint offensive support to a Tier 1 TF in other ASP97 tasks (off-shore DAA, DRI and DGI). Looking out further, 103 Mdm Bty is programmed to move permanently to Darwin in 2000/2001 with A Fd Bty remaining in Sydney to support the Parachute Battalion Group. Whilst senior HQs are noting the need for a Regiment in Darwin, the future remains unclear and support from all quarters will be welcomed.

## 7<sup>th</sup> FIELD REGIMENT

1999 has seen essentially the same team remain to represent the Gunners on the northern side of the harbour. LTCOL Ray Brennan has had his tenure extended for a further 12 months, MAJ Shaun Harding has moved up the corridor to OPSO/BC HQ Bty and CAPT Brandon Wood has arrived from 4 Fd Regt to take over as ADJT. The remainder of key appointments began the year unchanged from 98, however, by April the incumbent QM, WO1 Rick Griffin decided that it was time to call it a day. 'Double-hatting' within 7 Fd Regt continues.

The CO's focus for 99 has been two-fold. Training has remained orientated towards honing individual skills within the sub-unit environment. As a result, all Live Firing Exercise weekends have been structured with an emphasis towards developing those skills required of particular positions within the bty setting. The emphasis remains upon getting the basics consistently correct, with an obvious eye to the unit's AFX at Wide Bay Training Area in July as an opportunity to develop further from here.

The other aspect of the CO's focus in 99 has been retention and recruiting. Changes to the recruiting process have led to both insufficient and inconsistent recruiting numbers. Retention has therefore become an even greater priority within 7 Fd Regt and, as a result, a number of activities in the past 12 months have attempted to vary the training for unit members while also maintaining the focus of what it means to wear the uniform. VAP weekends and the annual WO/NCO leadership weekend have been extremely successful, both from the point of view of soldiers keen to test their mettle on the SME muscle toughening course or 5/7 RAR's obstacle course, and from the requirement to expose the soldiers to aspects of life in an Artillery unit beyond the traditional role of providing and co-ordinating fire support. This year has also been marked by a greater exposure to varied small-arms practices, including the utilization of simulation at 3 RAR's Firing and Training System.

With a view towards the imminent reduction of the Regular Army presence in the Sydney region, 7 Fd Regt has attempted to become more visible, both to the general public and to the manoeuvre units of 8 Bde whom we count as our customers do. The firing of both the Australia Day and Queen's Birthday Salutes from the foreshores of Sydney Harbour, as well as participation at both the Newcastle and RAS Sydney Easter Shows, has provided an opportunity for the soldiers to demonstrate their skills to a diverse and admiring public. After an informal discussion last year, the Governor of NSW, a former Gunner himself in the British Army, also visited the unit at Singleton during a LFX weekend in May. Despite remarking upon how the equipment had progressed since his days in the RA, the Governor noted that the dedication and professionalism of gun detachments remained just as crucial today.

As I write this the emphasis of unit training remains to prepare for the AFX in Jul. While a unit-level exercise, it will involve elements of most 8 Bde units and will thus provide an excellent opportunity to further develop the relationship between manoeuvre commanders and their JOSCCs and JOSTs. For the gunline it will provide a different training environment and an opportunity to experience real rates of fire for prolonged periods. This exercise is much anticipated by all members of 7 Fd Regt.

The past 12 months have been extremely busy for 7 Fd Regt. It has seen an ever-increasing demand being placed upon all commanders to balance the competing requirements of maximizing corps-specific training to enhance individual and sub-unit skills with the need to also provide a variety of training as a means of retaining the numbers of Part Time members. With the spectre of Army's focus remaining firmly upon 1 Bde in Darwin, the essential requirement to maintain a lean and combat-ready Part Time, and the still unspecified commitment to the Sydney 2000 Olympics, the next 12 months will undoubtedly prove to be even busier for 7 Fd Regt. We would not want it any other way!

Ubique.

## 1<sup>st</sup> Field Regiment

### Twelve months in the Premier Regiment

1<sup>st</sup> Field Regiment from Jun 98 to Jun 99 has participated in a plethora of diverse activities and exercises. This has given the unit a broader range of knowledge and expertise in areas it would not normally have exposure to.

RAA gunnery training was the focus of the second six months of 1998. Weekend deployment exercise, Exercise Tigers Advance for 105 Bty and Exercise Synchro Astro were all designed with the units operational security and protection in mind; while stills delivering firepower on time and on target. In the midst of its tactical training 104th Fd Bty managed to undertake a challenging and rewarding adventurous training activity in the Perisher National Park ski slopes. The participants undertook several days of introductory cross-country skiing and then went onto complete an overnight activity. Over those 48 hours, some of the teams managed to conquer Australia's largest peaks in Mount Kosiousko and Carruthers Peak.

When the tactical training ended the unit returned to Brisbane and was informed at short notice that it would form the core of the 7th Task Force Recruit Training Coy. This initiative was undertaken due to the possible shortcoming with the ability of Kapok to handle a predicted influx of new recruits. After much activity and discussion on how Recruit Company (Enoggera), Enoggera was to operate the first recruits marched into Enoggera. RCE marched out its last recruits in Jan 99 and life for the Regiment returned to some kind of normality. However, at the end of RCE all concerned stated that they had acquired a variety of skills and had honed old skills not used for sometime.

Whilst RCE was in operation the unit had to fulfil another role which was to provide members for the Christmas rotation on Operation Bel Isi in Bougainville. In all, the unit sent nine members to participate in the activities in Bougainville. Again those members involved acquired new skills and received an insight into operational service requirements.

For the first six months of 1999, the unit's focus was consolidating from the RCE and Operation Bel Isi commitments. In the January 99 the unit began the year with Exercise Gunner's Revenge which focused on Infantry Minor Tactics which included several days of white water rafting and rappelling conducted at the end of each exercise.

After this unit exercise, several courses were conducted which also included the Safety Officers Courses, restructuring of the unit Q-Store and a complete refurbishment of the unit's facilities. However, this normal routine was periodically broken by activities such as a 40 kilometre walk around

Stradbroke Island, fire fighting at RAAF Base Amberly and a weekend deployment exercise of the Unit to Wide Bay Training Area (WBTA).

The month of May was important period for the regiment as we celebrated the 50<sup>th</sup> Anniversary of the unit on 25 May 99. The central focus of the Anniversary was a mounted parade by the unit followed by the Beating of the Retreat and the playing of the 1812 overture to the backdrop of a spectacular fireworks display. All reports received on the activity were extremely positive and encouraging for the unit as a whole. This was a good reward for all those members who contributed much time and effort to the activity.

After the 50<sup>th</sup> anniversary celebrations 105 Fd Bty went on Exercise Tigers Advance an activity this rounded out a challenging and rewarding 12 months for 1<sup>st</sup> Field Regiment.

## 53<sup>rd</sup> INDEPENDENT TRAINING BATTERY

### Introduction

53 Indep Trg Bty is a sub unit of the School of Artillery, which reports directly to the CO/CI of the School. The Bty is capable of manning eight guns, two command posts and a BC's party (minus) or six guns, four command posts and a BC's party (minus) with a total strength of seventy-one personnel. The Bty was re-raised at Bridges Barracks, Puckapunyal, on 30 Jan 98.

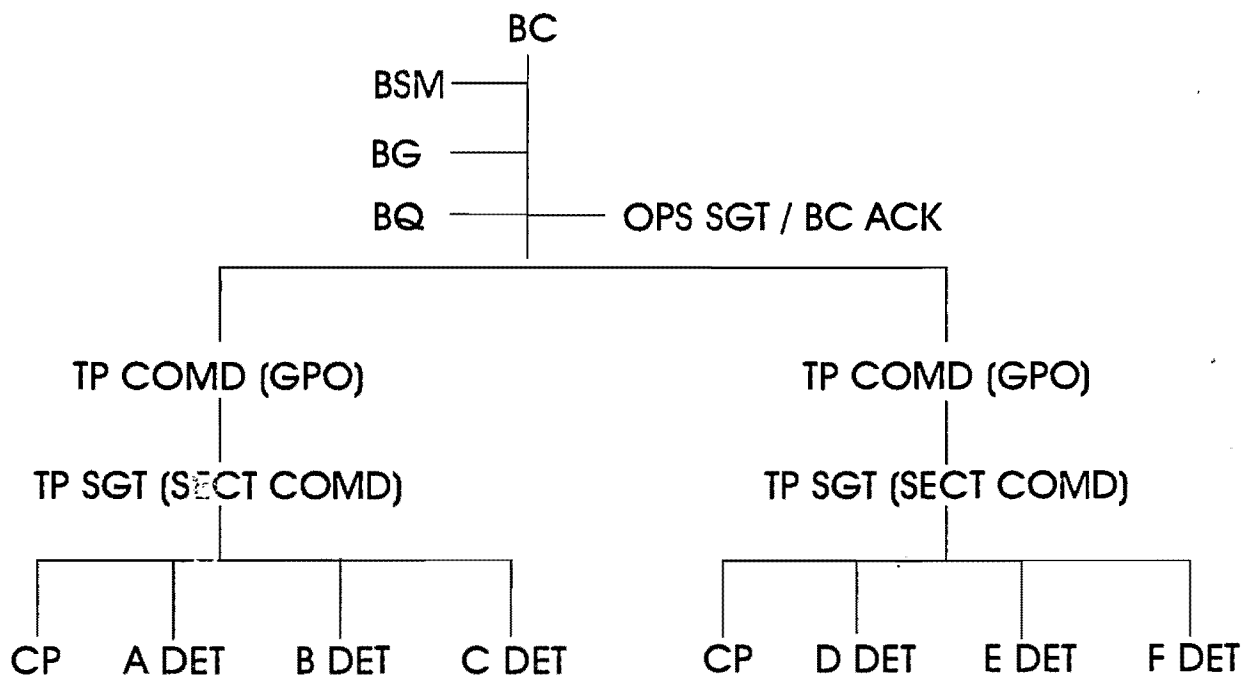
### Mission

The mission of 53 Indep Trg Bty is to provide field artillery support to the School of Artillery in order to deliver individual training in joint offensive support to satisfy the operational requirements of the ADF.

### Manning and Structure

The strength of the Bty is three ofrs and sixty-eight OR's. The Bty Comd is a CAPT with two LT Tp Comd/GPOs. The Bty has a BSM, BG and thirteen SGTs. The administrative structure of the Bty is two three gun tps, each with one CP as shown below:

The structure of the Bty is flexible with the Bty capable of adjusting its structure to suit the supported courses requirements.



### Tasks

In accordance with its mission, the Bty provides support to a variety of courses conducted by all wings at the School of Artillery. These supporting tasks include the following:

For Regimental Training Wing:

IET Gun Number Course;  
Subject Four BDR OPCS (OS) Course; and  
Detachment Commanders Course.

For Gunnery Wing:

Subject Four SGT Offensive Support Course;  
Warrant Officer Gunnery Course;  
Regimental Officer Basic Course;  
GPO Course;  
Tactical Offensive Support Course;  
Army Pilots Observation of Fire Course;  
Regimental Officer Gunnery Course;  
Regimental Officer Advanced Course; and  
RAAF Forward Air Controller Course;

To provide support to these courses the Bty has to be capable of conducting live and dry fire and movement as a six gun fire unit or two three gun fire units, static live fire firing as one six gun or two four gun fire units and provide fire support to unit level fire plans. To achieve this the Bty is required to be fully manned, so it reflects as best as possible a Land Comd Artillery Sub-Unit, and be manned by experienced soldiers who have the depth of knowledge, skills and flexibility to be employed in a number of artillery trades.

## Equipment

The Bty is equipped with eight M2A2s, ten Land Rovers and eight Unimogs. The Bty is also able to utilise six L119's as required from Regimental Training Wing. All other equipment is in accordance with a Land Comd FD Bty.

## History

53 Indep Trg Bty has a proud lineage, which dates back to the First World War. The Bty was raised in 1916 as part of the expansion of the 1<sup>st</sup> AIF and became part of 14 Artillery Bde, 5 Div. Its first taste of the war was its involvement in the Battle of Fromelles during 19–20 Jul 1916. The Bty's most famous incident of the war was the claim by two gunners of the Bty, Gunners Robert Buie and Snowy Evans, that they downed the Red Baron.

Between the wars, the Bty remained part of 14 Fd Bde RAA, a militia unit, located at Marrickville NSW.

On 25 Jun 1942, 53 Fd Bty embarked on the S.S. Anhui for New Guinea as a militia unit. The Bty subsequently provided fire support to 7 Aus Div on the Kokoda Trail. The Bty manhandled, through trackless jungle, two dismantled 25 Pounder Guns to Owers Corner in order to bring the guns into range of the Japanese at Ioribaiwa Ridge, the most southern point of the Japanese advance on the Kokoda Trail. For this, the Bty received a Special Order from HQ RAA 7 Aust division

After this campaign, the Bty was sent to Milne Bay where it prepared to become part of the support artillery for 9 Aust Div assault on Lae. During this period, the Bty was redesignated as an AIF unit. After the battle for Lae, the Bty was returned to Aust in 1944 to become the Depot Bty at the School of Artillery at Holsworthy NSW.

On Thurs 16 Aug 1945 A Tp 53 Fd Bty, with four 25 Pounder Guns, provided a victory salute of 101 guns at the Sydney Outer Domain to commemorate the end of World War Two. This salute is the largest salute ever fired by the RAA.

On 16 Oct 1946 53 Fd Bty moved to North Head with the relocation of the School of Artillery to that location. The disbandment date of the Bty is still not clear although recent information has surfaced that 53 Fd Bty was absorbed into A I d Bty for occupational force duties in Japan.

53 Indep Trg Bty was re-raised on Fri 30 Jan 1998, as part of the relocation of the School of Artillery to Puckapunyal. This date was set when the Bty received four M2A2 howitzers from Bandiana.



As part of the re-raising of the Bty and a development of its esprit de corps the Bty is planning to visit Papua New Guinea to walk the Kokoda Trail in late 1999 and place a plaque at the location of the gun that fired from Owers Corner.

## **The First Year**

The first year, up to writing this article in Sep, has been a busy year for the Bty. It started the year at 85% manning and with virtually no equipment. Within the first month of existence the Bty had sent elements to LWC Canungra, Sydney and Bandiana to take delivery of its equipment, most in dubious state of repair and most without complete CES, conduct conversion training for the M2A2, conduct trade testing and conduct a Bty live fire exercise to develop its SOPs and manning. The Bty provided most of the manning for the opening parade for the School of Artillery at Bridges Barracks and provided guns to two other salutes in Victoria in March.

Throughout the year the Bty has conducted thirteen field exercises and fired 3064 rounds in support to courses, varying from half-day static shoots to four-day fire and movement exercises. The Bty has conducted its own adventurous trg activity, a Bty IMT exercise and a Minimi conversion course.

By the end of the year the Bty will have qualified all its members on a detachment commanders course, had five members attend a subject one for CPL course, qualified all members in at least one other artillery trade skill and migrated all SNCOs in the Bty.

After a busy year in 1998 the future for the Bty looks bright as it shows the way to the RAA with most support issues resolved and a routine established. For 1999, the Bty is looking forward to a busy but less hectic year with a possible highlight of an overseas activity.

## The Artillery Historical Trust of Tasmania Northern Branch

### TARA Room

24 Robin Street  
 NEWSTEAD Tas 7250  
 Telephone (03) 6344 8307  
 11<sup>th</sup> Oct 1998

We in Tassie are currently forming a Tasmanian Artillery Association which will coordinate matters Artillery past and present in this state and with the mainland; we should have the organisation up and running late this year or very early next year.

In Launceston, there are two main Artillery Orgs, the contacts are: -

Mr. J V Ferguson – President  
 Launceston Artillery Old Comrades Association  
 64 New World Ave  
 TREVALLYN Tas 7250  
 Telephone: 03 6331 3851

Mr. G K Breier – Chair  
 Artillery Historical Trust of Tasmania Nth Br  
 157 Opossum Road  
 NORWOOD Tas 7250  
 Telephone: 03 6344 1342

Mr. E W Ryan BEM is Treasurer of both. His address is  
 PO Box 751  
 LAUNCESTON Tas 7250  
 Telephone: 03 6331 1947

The first and best contact point is myself as I am Secretary of the above two orgs. The two War time units are: –

2/8 Fd Regt RAA Assoc.  
 C/- Mr. Bob Hogarth  
 96 Wellington St  
 LONGFORD TAS 7301  
 Telephone: 03 6391 2448

6 Field Gunners Assoc.  
 C/- Mr. Jim Griffiths  
 18 Rocklyn Place  
 WEST LAUNCESTON Tas 7250

Items of interest are: –

Some of the Artillery things the Tassie Gunners have been involved with: –

**14<sup>th</sup> Mar 1998** Official opening of Bridges Barracks = New School of Artillery at PUCKAPUNYAL in Victoria on Saturday 14<sup>th</sup> Mar 1998. I feel deeply honoured to have been able to attend the Official opening of the new school of Artillery and attend the official functions. It was a day I shall NOT forget for a long time. The Official part was awe-inspiring and to see people there such as Sir Roden Cutler and the like (I have never seen so many Artillery Officers and Warrant Officers in one spot before); the facilities and equipment sure have advanced. Being an ex brass band person I enjoyed the military music being played by 2-10 Mdm Regt Band and ARMY Band MELBOURNE. The music and displays were excellent. There was an event during the band display that the people who were there will go a long way to see again; that was a large number of large grey kangaroos (Approx 50) on the parade ground at dusk (they did clear off when the rifles and guns started to fire

**ANZAC DAY 1998 LAUNCESTON** Both the dawn service and main service were well attended and we had wreaths laid on the cenotaph as per normal. The weather did start to break up a little during the main service but most stayed to the end (I got wet through).

**1<sup>st</sup> Jul 1998** 50<sup>th</sup> Anniversary of the reformation of Reserve Forces in Australia; Launceston cenotaph. The LAUNCESTON RSL and Cannon Des Tyson conducted a wreath laying ceremonial ceremony. About 30 people attended.

**4<sup>th</sup> Jul 1998** March in HOBART to commemorate the 50<sup>th</sup> Anniversary of Reserve Forces in Australia and BBQ. Both current serving and discharged members joined forces and marched from Franklin Square to Princes Wharf via the city blocks (our marching has slipped a little –changing step heaps of times). All enjoyed the hospitality at the wharf; met old friends and mates from yesteryear there and listened to ARMY Band Tasmania entertaining.

**12<sup>th</sup> Jul 1998** Gunners Memorial Drive STONY HEAD Training Area. A group of interested gunners inspected the site and put together a long-term plan to put to the Army re our memorial to all gunners with a Red over Blue theme at Stony Head Training Area, called Gunners Drive. Whilst there we were able to see first hand the new building works which have changed the Saint Barbara Area and it is now a much better scale A camp site.

**15<sup>th</sup> Jul 1998** Murray Memorial Room EVANDALE Official Opening. A room to honour Lt Col H Murray (the most decorated soldier in the British Commonwealth born near Evandale and served in the Launceston Volunteer Artillery 1902 – 1908 to whom he attributes learning his basic military skills) was opened by Mayor Ken von Bibra in the presence of the British Military Attache Commodore Jonathon Lyall and the senior ARMY officer in Tas Lt Col Julian Heath.

**8<sup>th</sup> Oct 1998** Video "Le Hamel 80 years on" Lt Col M A Cameron gave a presentation and showed the video on Le Hamel and spoke of his trip to Le Hamel France Jul this year.

**4<sup>th</sup> Dec 98** St Barbara's Day cocktail party at the Launceston campus TAFE Drysdale Institute the Launceston Artillery Old Comrades Assuc in conjunction with Defence Reserves Support Committee have arranged an evening.

**29<sup>th</sup> May 1999** GUNNERS ALL RANKS DINNER to be held in Launceston details TBA.

Tasmanian Volunteer Artillery necktie is currently in the design stages (it is Artillery BLUE with a Artillery RED stripe and the 1860's Tasmanian Volunteer Artillery Helmet badge in WHITE) and Official approval has been sought; the tie should sell for about \$25.00+ pre ordered and postage paid, Express postage extra.

Yours sincerely

Norman B ANDREWS

Sec

## Tasmanian Gunner

Tasmania's Lieutenant-Governor and Chief Justice, Lieutenant Colonel, The Honorable William Ellis Cox, AC, RFD, ED has been appointed a Companion in the General Division of the Order of Australia

Lieutenant Colonel Cox joined the Citizen Military Forces (now Army Reserve) in 1954. His appointments were as CO 6th Fd Regt 1973 to 1975, Colonel Commandant RAA (Tas) from 1993 to 1997. He was Deputy President of the Commonwealth Defence Force Discipline Appeals Tribunal from 1988 to 1995.

Justice Cox has made a major contribution to the Australian judicial system over a number of years. He has been the Chief Justice for the Supreme Court of Tasmania since 1995, and Lieutenant Governor of Tasmania since 1996.

He has contributed to legal education as a member of the Faculty of Law since 1985 and the Board of Legal Education. He is a Director of the Centre for Legal Studies Limited, which makes him responsible for the delivery of legal training programs in Tasmania.

Justice Cox is currently the Deputy Chairman (National) for the Winston Churchill Memorial Trust of Australia, and Chairman of the Tasmanian Selection committee since 1984.

All Gunners join in congratulating Lieutenant Colonel Cox on receiving this award.

### RAA Association of Tasmania

The RAA Association of Tasmania has been formed to bring together the current number (8) separate bodies within the state which represent the interests of Artillery in Tasmania since 1859.

The uniting of these separate artillery representative bodies has ensured that their identities will be maintained through the draft constitution. The Colonel Commandant Tasmania, Colonel Peter Patmore has endorsed a single representative body which will represent all Gunners was most welcome and long overdue. He commended the work of Norm Andrews, Secretary of the Artillery Historical Trust in bringing this project to fruition. Furthermore, endorsed the positive advice he received from Launceston Artillery Association and the Artillery League of Southern Tasmania.

## ROYAL AUSTRALIAN ARTILLERY HISTORICAL SOCIETY OF WESTERN AUSTRALIA (INC.)

### LEIGHTON BATTERY HERITAGE SITE

In 1988, following a meeting of interested people and associations, the *Royal Australian Artillery Historical Society of Western Australia* was formed with the aim of preserving the artillery heritage of this State. About the same time, a land developer suggested that the area of Buckland Hill in the Fremantle district, which had been set aside as Public Open Space, might be of interest to the artillery community.

The reason was an extensive tunnel system, in the limestone feature, which had been constructed during the Second World War as part of a coastal battery facility. There were also gun emplacements and a semi buried command post in the area. The developer had the choice of completely eliminating all signs of the facility or endeavoring to have someone, or an organisation, take over the area to develop it into something useful.

The meeting decided to accept the offer of developing the site as an artillery heritage museum and being Public Open Space, the proposal required the approval of State Government departments and the excising of the area covered by the planned museum. In the meantime, funds were acquired; to build vehicle access and a pedestrian track, to fence the site and to cover the myriad of other things, such as running water and electricity to the site.

Over the intervening years, the Society has been most fortunate to attract financial grants from the WA Lotteries Commission, Australia Remembers Committee, WA Tourism Commission and other organisations, and as a result, it has been possible to achieve many goals. On occasions, it has been possible to eke out the funds by the wonderful efforts made by Society volunteers.

The Buckland Hill complex has been listed in the Register of National Estate as a significant World War II Defence Facility.

At what is now termed the Leighton Battery Heritage Site much work has been done. In the Anti-Aircraft Command Post (a relic of the 5.25 AA/CA Battery), volunteers have developed a kitchen and an internal toilet for use when working in the facility. The main area has been fitted with display panels depicting the Coast Artillery Battery position in 1943, the proposed additions as of that date and the arcs of fire covered by the batteries, also the methods of controlling fire of the 6 inch and 9.2 inch batteries. A display has also been prepared with respect to Anti-Aircraft Artillery, as the second AA Battery commissioned in the Fremantle area was close to the Society's area and it also had a secondary CA role.

In the tunnel complex, the gun crew shelters have displays depicting various aspects of artillery activities and history. One of the magazines houses an ammunition display, the other a full scale cutaway model of a BL 6 in Mk VII barrel depicting the build up of a gun barrel and various photographs of artillery pieces. The projectile room has been made into a small chapel where the names of the artillery units associated with Western Australia are recorded and the names of the personnel of those units, who gave their lives on active service.

The tunnel system in itself is of considerable interest as people generally are not aware of its existence. Apart from the AA Command Post, there is a 5.25-inch gun emplacement and its associated underground rooms. One of the 6-inch gun emplacements was unearthed in almost complete form and this has been partially restored. The other 6-inch emplacement was reduced to ground level and its outline has been clearly depicted.

In November 1997, His Excellency the Governor of Western Australia, Major-General Michael Jeffery AC MC officially opened the Leighton Battery Heritage Site. The ceremony provided recognition for the contribution made by the members of the Society, many of whom no doubt thought that when the project commenced it was "mission impossible".

The site is open for public access via guided tours on the first Sunday of every month (except January). Already over 2,000 visitors have experienced the facility and from the feedback received it is being acknowledged as one of the most significant artillery heritage museums on the west coast of Australia.

## 1998/99 OFFICER POSTINGS

The following lists the current positions occupied and locations of RAA Officers.

LTCOL	AW	MCCLELLAND	SO1 (OPS/ASST MIL ATT), AUST ARMY STAF-USA WASH, ADS OVERSEAS
LTCOL	SW	NICCOLLS	SO1, UNITED NATIONS HQ - NEW YORK, ARMY O/S EXCH PERS
LTCOL	WRC	VICKERS	LO (TRADOC), OTHER AGREEMENTS WASHINGTON - USA, ARMY O/S EXCH PERS
LTCOL	DG	KENNEDY	SO1 (OPS), P&E ORG, ATEA
LTCOL	GK	MARTIN	SO1 (TRG DEV), TRG PLANS SECT (G75), LHQ
LTCOL	PL	OVERSTEAD	PRIMARY STD OFFR, OTHER AGREEMENTS WASHINGTON - USA, ARMY O/S EXCH PERS
LTCOL	DSK	COX	SO1 (OPS), HQ, ATEA
LTCOL	AM	HODGKINSON	SO1 (JOPS), JOPS/PLANS, DC-M
LTCOL	PR	TYRELL	ASST DEF ADVISER, ADS CANADA - OTTAWA, ADS OVERSEAS
LTCOL	PF	APPLETON	INSTR, ACADEMIC WING, JSSC
LTCOL	RM	BAGULEY	SO1 (TRG ANALYSIS), TRG SECT, HQ TC-A
LTCOL	MG	LOVELL	SO1 (CORP PLANS), CORPORATE PLANS, AHQ
LTCOL	GW	TIPPETTS	AWAITING REPOST, SUPERNUMERARY, STMP
LTCOL	GG	COLLINSON	SO1, LIEUTENANT COLONELS, MNRE
LTCOL	HL	GRAHAM	CO, RHQ, 16 AD REGT
LTCOL	RA	PARROTT	CO, HEADQUARTERS, BASC NQ
LTCOL	BA	POWER	SO1 (OS), JOSCC, HQ 1 DIV
LTCOL	FG	COLLEY	CO/CI, HQ, SCHOOL OF ARTY
LTCOL	MP	CRANE	CO, RHQ, 4 FD REGT

LTCOL	BM	ARMSTRONG	CO, RHQ (8 MDM REGT), 8/12 MDM REGT
LTCOL	GP	JONES	MNRE (LONGLEAVE), SUPERNUMERARY, STHQLD LOG GP
LTCOL	IA	LYNCH	STUDENT AS GEN, CIVIL SCH AUST, LTS
LTCOL	TJ	MCCULLAGH	MA, OFFICE OF THE LCA - COMD, LHQ
LTCOL	ST	GOLTZ	SO1 (CBT EMPL & TRG), CBT EMP & TRG GP, HQ TC-A
LTCOL	HJ	MUELLER	INSTR, INSTR WG, C AND SC
LTCOL	GD	MULHERIN	CO, HQ GLENBROOK, 1 GL GP
LTCOL	PD	WINTER	SO1 (LAND WEAPONS), WEAPONS SYS SECT, DIO
LTCOL	GP	FOGARTY	SO1 (EP AND FS), FORCE DEV BR (LAND), ADHQ
LTCOL	IP	GOSS	SO1 (TRG), TRG SECT, LHQ
LTCOL	NR	LITTLEWOOD	DAR, DAR, HQ ADF
LTCOL	PW	MEEHAN	SO1 (JOS), JOINT OFFENSIVE SPT SECT, HQ TRG COMD
LTCOL	ML	PHELPS	PD BUSHRANGER, PROJ BUSHRANGER, MAT DIV, AHQ
LTCOL	RH	STANHOPE	SO1 (GROUND WARFARE), IA & P, ADHQ
LTCOL	PB	SYMON	CO, RHQ, 1 FD REGT
LTCOL	KP	ZIEBARTH	SO1 (ATAR), ARMY TRG AREAS & RANGES SECT, HQ LOG COMD
LTCOL	JH	GUNN	SO1 (ADV SYS & SIM), LAND OPERATIONS DIV, S & T PROGRAM
LTCOL	PD	HARRIS	UN OBSERVER, UNTSO - MIDDLE EAST, PSD - ARMY
LTCOL	SR	HOLLOWAY	SO1 (GEN ENGR), GEN ENGR SECT, MAT DIV, AHQ
LTCOL	JDJ	LOGAN	SO1 (PLANS), OFFICE OF COMDT, ADFA
LTCOL	RA	MAURICE	CO, RHQ, 2/10 MDM REGT
LTCOL	RJ	MILLINGTON	SO1 SECRETARIAT, OFFICE OF CA, AHQ

LTCOL	CN	REYNOLDS	SO1,PUBLIC AFFAIRS,GS DIV, AHQ
LTCOL	JP	SMITH	INSTR, US6-US ARMY C&GSC, ARMY O/S EXCH PERS
MAJ	GE	CAMPBELL	AWAITING MANPOWER COVER,SUPERNUMERARY,7 FD REGT
MAJ	JM	MCGUIGAN	RESEARCH OFFR, CENTRE FOR COMD STUDIES, C & SC
MAJ	AA	THWAITES	SO2 (CBT DEV), DEV & ANALYSIS SECT, LHQ
MAJ	TW	VERCOE	TRG OFFR,TRG COORD,SCHOOL OF ARTY
MAJ	GM	FOLKARD	RANGE continue OFFR,TRG AREA MNGT,PUCKAPUNYAL LOG BN
MAJ	P	GUSTAFSON	SAADLO,SAADLO,16 AD REGT
MAJ	TAG	KEMP	INSTR, INSTR WG, C AND SC
MAJ	PD	MCKAY	SO2 (COORD-A),DIR OF COORD - ARMY,AHQ
MAJ	GK	BARTELS	GLO, 66 GL SECT (WILLIAMTOWN), 1 GL GP
MAJ	AR	DARLINGTON	2IC, RHQ, 4 FD REGT
MAJ	GM	JOHNS	ASST COMD (LAND),HEADQUARTERS,4 TRG GP
MAJ	DR	MORGAN	MEMBER, HQ ADF
MAJ	MSC	WALTON	OC,SPT PL,HQ TC-A
MAJ	PR	WIDELEWSKI	SO2 (S/S),JOSCC (LAND),HQ 1 DIV
MAJ	PR	MAW	MNRE (LONGLAVE),SUPERNUMERARY,LWC
MAJ	DB	BRADSHAW	SO2 (M M),INST DESIGN & MM,HQ TC-A
MAJ	DT	BRENNAN	DOCTRINE OFFR, SCH OF ARTY (SYDNEY), HQ TRG COMD
MAJ	GS	JENVEY	SO2,AUSMIS SPT CELL,CI
MAJ	BW	TAYLOR	SO2 (CIS OPS),CIS OPS,HQ TRG COMD
MAJ	GB	COOPER	SO2 (GW), GUNS & GUIDED WPNS, MAT DIV, AHQ



MAJ	TJ	GIBBINGS	2IC,RHQ,1 FD REGT
MAJ	IP	HOSKING	SO2,WPE,DPE
MAJ	PT	LANDFORD	SO2 (PL(CONCEPTS)),PERS LIABILITY,AHQ
MAJ	GE	OSBORNE	SO2,US57 – MARFORPAC, HAWAII,ARMY O/S EXCH PERS
MAJ	JM	STITZ	SARO, ADMIN SECT – ARA, ADFRU MELBOURNE
MAJ	RH	WHITE	OPS/TRG OFFR,TRG OPS,LWC
MAJ	KS	DELANEY	STUDENT,GEN TRG (O/S),LTS (MSC USN POSTGRADSCHOOL, MONTEREY)
MAJ	RG	GIBSON	SO2 (SURV INT AND SVY), DGFDD (LAND), HQ ADF
MAJ	RM	MANTON	SO2, 8/22-ARTY DESK DI 60, ARMY O/S EXCH PERS
MAJ	GK	PHILLIPS	SI, LEADERSHIP TEAM, RMC
MAJ	C	TAGGART	SO2 (JOSCC),JOSCC,HQ 1 BDE
MAJ	SP	AMOR	SO2 (COORD & TGT),CBT SPT SECT,HQ TC-A
MAJ	JPC	BLACK	SO2 (COORD),PERS POL & PLANS BR,HQ ADF
MAJ	DP	COGHLAN	SO,PREPAREDNESS & PLANS,AHQ
MAJ	WL	GOODMAN	SO2 (SOMS),DIRECTORATE OF MIL STRATEGY (DMS),HQ ADF
MAJ	DA	JENKINS	SO2 (GND BASED AD),INFORMATION OPS SECT,HQ TRG COMD
MAJ	WN	JONES	CA (ART/MILPOL),CAG,DOCM(A)
MAJ	IG	LAIRD	SO (CCCI/SYS), TRIALS DIRECTORATE, S & T PROGRAM
MAJ	DB	LOWE	SO2 (POST 2 LOG TRG COMD),POSTING GP,DOCM(A)
MAJ	PJ	MURPHY	SO2 (POL),LAND WARFARE STRATEGY,AHQ
MAJ	TD	PICKFORD	SO2 (FIRE SPT AND AD),CBT FORCE DEV (LAND),HQ ADF
MAJ	PJ	PREWETT	SO3 (CADETS),CADET WING,1 TRG GP

MAJ	SM	SADDINGTON	SI,AD WING,SCHOOL OF ARTY
MAJ	PJ	WILTSHIRE	SARO,ADMIN SECT (ARA),ADFRU BRISBANE
MAJ	CV	WARDROP	AWAITING REPOST,SUPERNUMERARY,SCHOOL OF ARTY
MAJ	BJ	BAILEY	INSTR,TACTICS WING,LWC
MAJ	DJ	BERMINGHAM	ARTY ADVISER,MAJDP,DCP
MAJ	JC	HILL	STUDENT,STAFF COLLEGE (AUST),LTS :
MAJ	SJ	HUME	OPS OFFR,RHQ (TAC),16 AD REGT
MAJ	KT	LAKEY	SI, SCHOOL OF ARTY
MAJ	RS	MCDONAGH	STUDENT,TECH STAFF TRG,LTS
MAJ	PD	MCLACHLAN	SO2 (OFF SPT),HQ LAND COMD ARTY (G03),LHQ
MAJ	S	ROACH	SO,PSG DIV,ADHQ
MAJ	DJ	SMITH	STUDENT,STAFF COLLEGE (AUST),LTS
MAJ	CW	ANDERSEN	BC,FD BTY (108 FD BTY),4 FD REGT (POST TO CORRECT APN)
MAJ	KP	BEASLEY	OC,FIRE SPT COY HQ,6 RAR
MAJ	GC	BILTON	STUDENT,STAFF & WAR COLLG (O/S),LTS
MAJ	DK	CONNERY	STUDENT,STAFF COLLEGE (AUST),LTS
MAJ	SP	DONNELLY	SO2 (S/S),JOSCC (LAND),HQ 1 DIV
MAJ	PC	GATES	STUDENT,STAFF COLLEGE (AUST),LTS
MAJ	RF	HODSON	SO2 (GUNS/FCS),GUNS/GW SECT,MAT DIV, AHQ
MAJ	DJ	MCNICHOLAS	STUDENT,STAFF COLLEGE (AUST),LTS
MAJ	MT	O'BRIEN	STUDENT,LT - ADF SCH OF LANG,LTS
MAJ	JP	PALMER	INSTR,8/20-ROYAL SCH ARTY,ARMY O/S EXCH PERS

MAJ	GG	POTTER	SO2 (OPS),P&E ORG,ATEA
MAJ	RC	RICHARDS	DOC PROJ MNGR,DOCTRINE PROD MNGT,HQ TC-A
MAJ	RD	SHANAHAN	BC,"A" FD BTY (12 FD REGT),8/12 MDM REGT
MAJ	DJ	TEAKLE	BC,HQ BTY,1 FD REGT
MAJ	AC	TURNER	ASST COMD (LAND),HQ,5 TRG GP
MAJ	DJR	ASHTON	BC, HQ BTY (8 MDM REGT), 8/12 MDM REGT
MAJ	GJ	CARTER	BC,HQ BTY,23 FD REGT
MAJ	SE	CLINGAN	LO (FD ARTY SCH), US11-US ARMY FIELD ART, ARMY O/S EXCH PERS
MAJ	AC	COLMER	BC, HQ BTY, 2/10 MDM REGT
MAJ	DL	GARSDIE	OC & PROOF OFFR,HQ,P&EE PORT WAKEFIELD
MAJ	CD	GEE	SO2 (PREPAREDNESS),OPS SPT,AHQ
MAJ	GP	HARRIS	SO2 (PERS MNGT),PERS OPS STAFF,HQ 2 DIV
MAJ	SRJ	KIRBY	BC, HQ BTY, 7 FD REGT
MAJ	TM	NICHOLS	SO2 (TRADE POL ARTY),TRADES,HQ TC-A
MAJ	KS	SEABROOK	SI, GUNNERY WING, SCHOOL OF ARTY
MAJ	PR	SWINSBURG	BC,COMD GP,131 LOC BTY
MAJ	JJC	WEBB	BC,AD BTY HQ X 3,16 AD REGT
MAJ	SA	BAGNALL	BC,105 FD BTY,1 FD REGT
MAJ	PJ	BRUCE	OC,SPT WG,SCHOOL OF ARTY
MAJ	RJ	CRAWFORD	BC,104 FD BTY,1 FD REGT
MAJ	GW	FINNEY	BC,103 MDM BTY (8 MDM REGT),8/12 MDM REGT
MAJ	R	FISKE	SO2 (COORD),OFFICE OF THE HEAD,DC-P

MAJ	A	GARRAD	SO2 (SIM POL/PLANS),SIMULATION,HQ TRG COMD
MAJ	MJ	KINGSFORD	BC,FD BTY (107 FD BTY),4 FD REGT
MAJ	GM	LIGHT	TRG OFFR,SIM TRG,HQ TC-A
MAJ	PD	MCKAY	INSTR,WARFARE TRG SECT,ADF WC
MAJ	CL	NEES	BC,AD BTY (LT) HQ,16 AD REGT
MAJ	GN	PALMER	OC,REC TRG COY HQ (4),1 RTB
MAJ	A	PLANT	BC,HQ BTY,4 FD REGT
MAJ	DA	ROACH	STUDENT,TECH STAFF TRG,LTS
MAJ	AE	STRAUME	SI,LOC WING,SCHOOL OF ARTY
MAJ	NR	SUTTON	SO2 (GBAD),HQ LAND COMD ARTY (G03),LHQ
CAPT	R	ROWE	QM, HQ BTY, 23 FD REGT, FOR DUTY HQ 2 DIV ARTY
CAPT	PG	RUGG	ASST PROOF OFFR,OPS GP,P&EE GRAYTOWN
CAPT	DR	NARRAMORE	QM,SPT TP HQ,131 LOC BTY
CAPT	WJ	MCMURTRIE	MNRE (LONGLAVE),SUPERNUMERARY,BASC RANDWICK
CAPT	PE	DOBBS	B'TY CAPT,HQ BTY,1 FD REGT
CAPT	EG	WILLIAMS	AWAITING MANPOWER COVER,SUPERNUMERARY,7 CSU (-)
CAPT	PK	DOVER	QM,LOG,SCHOOL OF ARTY
CAPT	CT	CONNOLLY	INSTR, AD WG, SCHOOL OF ARTY
CAPT	AR	D'CRUZ	MNRE (LWOP),SUPERNUMERARY,LOCAL ADMIN (AHQ)
CAPT	NH	FLOYD	AWAITING MANPOWER COVER,SUPERNUMERARY,6 RAR
CAPT	SE	HARDING	ADJT, HQ, 7 FD REGT
CAPT	MD	JONES	TRG OFFR, TRG STAFF, 7 FD BTY 3 FD REGT

CAPT	IS	LAWES	INSTR, LEADERSHIP TEAM, RMC
CAPT	JG	O'BRIEN	ADJT,RHQ,1 FD REGT
CAPT	RW	OVERHEU	ADJT,RHQ (8 MDM REGT),8/12 MDM REGT
CAPT	DW	REID	STUDENT,LT – ADF SCH OF LANG,LTS
CAPT	PS	RICHARDS	QM, HQ BTY (8 MDM REGT), 8/12 MDM REGT
CAPT	TJ	SUTHERLAND	INSTR, GUNNERY WING, SCHOOL OF ARTY
CAPT	MD	BIRCH	TRG OFFR,SIM TRG,HQ TC-A
CAPT	AM	BOLLARD	AWAITING REPOST,SUPERNUMERARY,LTS
CAPT	GM	BOLTON	SECT COMD,WPN LOC/ARTY MET SVY PL HQ,6 RAR
CAPT	MR	BOURQUIN	DOCTRINE OFFR, SCH OF ARTY (SYDNEY), HQ TRG COMD
CAPT	CD	FURINI	S3 CURRENT OPS,OPS,HQ 1 BDE
CAPT	TD	GRIGGS	SO3 (OPS),OPS,HQ 6 BDE
CAPT	SA	MCINTOSH	SO3 (S/S),JOSCC (LAND),HQ 1 DIV
CAPT	AP	MCINTYRE	OC,HQ CSC,RMC
CAPT	GN	MEEKAN	BTY CAPT,FD BTY (107 FD BTY),4 FD REGT
CAPT	SJ	NICHOLS	SO3 (OPS),JOSCC (L),HQ 1 BDE
CAPT	MJ	PLUMMER	DOCTRINE OFFR,SCHOOL OF ARTY (SYDNEY),HQ TRG COMD
CAPT	AJW	POLICH	SO3 (PERS MNGT),PM3 – RACT, RAAOC, RAAPC,SCMA
CAPT	PE	RANDALL	ADJT,RHQ (MAIN),16 AD REGT
CAPT	SG	ROHAN-JONES	SO3 (CAREER ADVISER),CA PM1,SCMA
CAPT	ST	RYAN	INSTR (GUNNERY), HQ LC ARTY, LHQ
CAPT	SA	SUMMERSBY	UN OBSERVER,UNTSO – MIDDLE EAST,PSD – ARMY

CAPT	CR	WEST	SO3 (OPS),JOPS,DC-B
CAPT	DHR	WILTON	ADJT,PERS,SCHOOL OF ARTY
CAPT	AJ	COMBES	INSTR,TACTICS TEAM,RMC
CAPT	BN	HAWKE	ADJT,RHQ,4 FD REGT
CAPT	SN	KENNY	BTY CAPT,HQ TRG BTY,SCHOOL OF ARTY
CAPT	JJ	KIRKBY	BTY CAPT,104 FD BTY,1 FD REGT
CAPT	MV	LEE	ADJT, REGT HQ, 2/10 MDM REGT
CAPT	NJ	LOYNES	TP COMD,WEAPON LOC TP 1 HQ,131 LOC BTY
CAPT	JB	MCLEAN	ADJT, HQ GLENBROOK, 1 GL GP
CAPT	SN	MCPHEE	INSTR, US36-US ARMY AIR DEFENCE, ARMY O/S EXCH PERS
CAPT	MJ	MCPHEE	INSTR,GUNNERY WING,SCHOOL OF ARTY
CAPT	DS	PEARCE	AWAITING REPOST,SUPERNUMERARY,LTS (OSEAS)
CAPT	PS	PRENZLER	SO3 (OPS),OPS,HQ 8 BDE
CAPT	WJ	SMITH	BTY CAPT, FD BTY (3), 6/13 FD REGT
CAPT	NT	SWEENEY	INSTR,GUNNERY WING,SCHOOL OF ARTY
CAPT	GC	THOMAS	INSTR, GUNNERY WING, SCHOOL OF ARTY
CAPT	DJ	CROWE	BTY CAPT,"A" FD BTY (12 FD REGT),8/12 MDM REGT
CAPT	MP	DEASY	MNRE (LWOP),SUPERNUMERARY,MNRE
CAPT	JA	DOUGALL	INSTR,LOC WING,SCHOOL OF ARTY
CAPT	DJ	GEANEY	BTY CAPT,AD BTY (LT) HQ,16 AD REGT
CAPT	SM	GRACE	QM,HQ BTY,4 FD REGT
CAPT	AM	HAEBICH	BTY CAPT,FD BTY,6/13 FD REGT

CAPT		KENNEDY	BTY CAPT,105 FD BTY,1 FD REGT
CAPT	JP	LO SCHIAVO	MNRE (RETIREMENT),SUPERNUMERARY,BASC NQ
CAPT	G	MALCOLM	BTY CAPT, 103 MDM BTY (8 MDM REGT), 8/12 MDM REGT
CAPT	KA	MANGIN	INSTR,41 FD BTY,1 FD REGT
CAPT	GL	MARSHALL	SO3 (TGT),JTGT,HQ 1 DIV
CAPT	A	MONICO	TRG DEV OFFR,TRG DVLP CELL,SCHOOL OF ARTY
CAPT	PD	MONKS	QM,HQ BTY,1 FD REGT
CAPT	TS	PEARSE	OPS OFFR,OPS GP,P&EE PORT WAKEFIELD
CAPT	RE	PRATT	BTY CAPT,SPT BTY HQ,16 AD REGT
CAPT	MJ	TAYLOR	SO3 (PERS), PERS, RMC
CAPT	MAJ	WATSON	SO3 (VISITS),DPAM,ADHQ
CAPT	MJP	WEBBE	AWAITING REPOST,SUPERNUMERARY,LTS
CAPT	CPH	WELLER	SO3 (JOPS),JOPS (LAND),HQ 1 DIV
CAPT	BA	WOOD	BTY CAPT,FD BTY (108 FD BTY),4 FD REGT
CAPT	MR	AHERN	FO,FD BTY (107 FD BTY),4 FD REGT
CAPT	IK	COSSART	QM, HQ BTY, 16 AD REGT
CAPT	JR	GILLMAN-WELLS	FO,103 MDM BTY (8 MDM REGT),8/12 MDM REGT
CAPT	PM	LUN	ADJT,RHQ,23 FD REGT
CAPT	DW	TUCKER	FO,FD BTY (108 FD BTY),4 FD REGT
CAPT	JK	ELLUL	FO, FD BTY (108 FD BTY), 4 FD REGT
CAPT	AP	FEHLBERG	FO,FD BTY (108 FD BTY),4 FD REGT
CAPT	MJ	FINNERTY	FO,103 MDM BTY (8 MDM REGT),8/12 MDM REGT

CAPT	SA	JENKINS	FO,"A" FD BTY (12 FD REGT),8/12 MDM REGT
CAPT	DJ	KELLY	FO,"A" FD BTY (12 FD REGT),8/12 MDM REGT
CAPT	AP	KEOUGH	FO,105 FD BTY,1 FD REGT
CAPT	DW	MALLETT	FO,FD BTY (108 FD BTY),4 FD REGT
CAPT	GE	MCPHEE	FO,104 FD BTY,1 FD REGT
CAPT	JG	PASSLOW	TP COMD,RBS-70 SAM TP HQ,16 AD REGT
CAPT	JD	ROSS	FO,"A" FD BTY (12 FD REGT),8/12 MDM REGT
CAPT	AN	RUFF	AWAITING MANPOWER COVER,SUPERNUMERARY,1 FD REGT
CAPT	DB	STEPHENS	BTY CAPT,MDM BTY (1),2/10 MDM REGT
CAPT	RA	VAGG	Forward OBSERVER,JOST,6 RAR
CAPT	RH	WATSON	TP COMD,RBS-70 SAM TP HQ,16 AD REGT
LT	CA	MCGLYNN	TRG DEV OFFR,TRG DVLP CELL,SCHOOL OF ARTY
LT	DM	EDWARDS	ASST GPO, FD BTY (107 FD BTY), 4 FD REGT
LT	JV	FRY	CP OFFR,BTY CP,16 AD REGT
LT	RS	HAWKINS	AWAITING MANPOWER COVER,SUPERNUMERARY,LTS
LT	TJ	LOPSIK	TP COMD,RBS-70 SAM TP HQ,16 AD REGT
LT	SJ	MALLETT	FO,FD BTY (108 FD BTY),4 FD REGT
LT	NJ	POY	CP OFFR,RBS-70 SAM TP CP,16 AD REGT
LT	BW	ROZEBOOM	FO MDM BTY, 8/12 MDM REGT
LT	AJ	WORSLEY	FO,FD BTY (108 FD BTY),4 FD REGT
LT	ML	ANDERSON	GPO,103 MDM BTY (8 MDM REGT),8/12 MDM REGT
LT	LDW	BURG	GPO,105 FD BTY,1 FD REGT



LT	C.M	BUXTON	IO,RHQ,4 FD REGT
LT	GC	CASSAR	GPO,COMD POST GP,SCHOOL OF ARTY
LT	LS	CRAWFORD	TP COMD,MISL TP HQ,16 AD REGT
LT	JD	DRAGE	SVY OFFR,HQ BTY,4 FD REGT
LT	BT	GALVIN	PL COMD,RECRUIT TRG PL - KAPOOKA SUPPLEMENT,1 RTB
LT	DJ	HILL	GPO,FD BTY (108 FD BTY),4 FD REGT
LT	MJ	HUNTER	AWAITING MANPOWER COVER,SUPERNUMERARY,16 AD REGT
LT	AM	KEOGH	SECT COMD,INDIRECT FIRE WPN SECT (105MM),6 RAR
LT	JF	KERR	AWAITING MANPOWER COVER,SUPERNUMERARY,8/12 MDM REGT
LT	SG	MOTT	AWAITING MANPOWER COVER,SUPERNUMERARY,8/12 MDM REGT
LT	SE	O'BRIEN	BTY LDR,FD BTY,2/10 MDM REGT
LT	JM	PATERSON	SECT COMD,RADAR SECT 1,131 LOC BTY
LT	A	WEINERT	AADJT, 16 AD REGT
LT	BV	WHITE	PL COMD,REC TRG PL (22),1 RTB
LT	NG	BERRY	AWAITING REPOST,SUPERNUMERARY,4 FD REGT
LT	AG	BIDDLE	ASST GPO,"A" FD BTY (12 FD REGT),8/12 MDM REGT
LT	JM	COLLINS	ASST ADJT,RHQ,4 FD REGT
LT	MW	CROSS	ASST GPO,FD BTY (108 FD BTY),4 FD REGT
LT	PBM	DUNCAN	GPO,FD BTY,2/10 MDM REGT
LT	SJ	FLETCHER	AWAITING REPOST,SUPERNUMERARY,1 FD REGT
LT	NJ	FOXALL	SECT COMD,INDIRECT FIRE WPN SECT (155MM),6 RAR
LT	DB	GRIFFITHS	BTY LDR,103 MDM BTY (8 MDM REGT),8/12 MDM REGT

LT	KD	HAIN	BTY LDR,"A" FD BTY (12 FD REGT),8/12 MDM REGT
LT	PL	HIGGINS	GPO,COMD POST GP,SCHOOL OF ARTY
LT	AS	HOWELL	GPO,104 FD BTY,1 FD REGT
LT	EM	JACKSON	ARTY CON,ARMCON,16 AD REGT
LT	B	KELLAWAY	STUDENT,HONOURS & BENG STUDENT,LTS
LT	MJ	LEE	GPO,"A" FD BTY (12 FD REGT),8/12 MDM REGT
LT	RP	MOORE	AWAITING REPOST,SUPERNUMERARY,1 FD REGT
LT	RA	MOUTHAN	TP COMD,MISL TP HQ,16 AD REGT
LT	MA	MUIR	TP COMD,MISL TP HQ,16 AD REGT
LT	PG	NEWSON	TP COMD,MISL TP HQ,16 AD REGT
LT	JJ	PARK	ASST GPO,103 MDM BTY (8 MDM REGT),8/12 MDM REGT
LT	DD	TESSADRI	AWAITING MANPOWER COVER,SUPERNUMERARY,8/12 MDM REGT
LT	RK	UNDERWOOD	SIGS OFFR,HQ BTY,4 FD REGT
LT	JJ	WEST	ASST ADJT,RHQ,1 FD REGT
LT	SM	BURLEY	SECT COMD,INDIRECT FIRE WPN SECT (155MM),6 RAR
LT	SP	ELMORE	ASST GPO,FD BTY (107 FD BTY),4 FD REGT
LT	BJE	FORD	AWAITING MANPOWER COVER,SUPERNUMERARY,4 FD REGT
LT	C	HAMILTON	AWAITING MANPOWER COVER,SUPERNUMERARY,16 AD REGT
LT	MR	HARTAS	AWAITING MANPOWER COVER,SUPERNUMERARY,1 FD REGT
LT	RL	LANG	OFFR CADET, RMC, TRG FORCE ESTB
LT	PJ	MEAKIN	AWAITING MANPOWER COVER,SUPERNUMERARY,8/12 MDM REGT
LT	DJ	PATTERSON	AWAITING REPOST,SUPERNUMERARY,8/12 MDM REGT

LT	AJ	PAYNE	BTY LDR,FD BTY (108 FD BTY),4 FD REGT
LT	RM	TIERNEY	RECCE OFFR,SURVL TP (SURVL & SOUND RANGING/UGS) HQ,131 LOC BTY

### 1998/99 WO/SGT POSTINGS

The following lists the current postings and locations of all Full Time Warrant Officers and Senior Non-commissioned officers within the RAA

<i>RANK</i>	<i>INIT</i>	<i>NAME</i>	<i>CURRENT UNIT</i>	<i>ADMIN UNIT</i>
WO1	ID	BIGGS	16 AD REGT	16 AD REGT
WO1	DW	BOWMAN	SCMA	SCMA
WO1	RJ	BREARLEY	MNRE	STH QLD LOG GP
WO1	DM	CARROLL	STH QLD LOG GP	STH QLD LOG GP
WO1	GD	CHILLINGSWORTH	3 TRG GP	3 TRG GP
WO1	WJ	DEGENARO	SCHOOL OF ARTY	SCHOOL OF ARTY
WO1	RD	DUNNE	ACATC	ACATC
WO1	AS	FAGAN	LHQ	DCSO VB
WO1	MH	GOWLING	131 LOC BTY	131 LOC BTY
WO1	JS	HANSEN	HQ 4 BDE	HQ 4 BDE
WO1	DA	JONES	5 TRG GP	5 TRG GP
WO1	RB	JONES	2/10 MDM REGT	2/10 MDM REGT
WO1	DJ	KELLY	4 FD REGT	4 FD REGT
WO1	I	KILGOUR	7 FD REGT	7 FD REGT
WO1	GV	LAKEY	1 FD REGT	1 FD REGT
WO1	JJM	LECKNING	HQ 7 TF	HQ 7 TF
WO1	MJ	MAHADY	ADFRU BRISBANE	DCSC-SQ
WO1	GD	METCALF	P&EE GRAYTOWN	P&EE GRAYTOWN
WO1	TM	NOLAN	DCSC-SYD W/S	DCSC-SYD W/S
WO1	WL	PARKER	23 FD REGT	23 FD REGT
WO1	BW	PLANT	HQ TC-A	HQ TC-A
WO1	HKJ	PREGNELL	DCSC-SQ	DCSC-SQ
WO1	AH	RENWICK	8/12 MDM REGT	8/12 MDM REGT
WO1	GL	SAUN	P&EE PORT WAKEFIELD	P&EE PORT WAKEFIELD
WO1	KF	SCHOENE	HQ 9 BDE	HQ 9 BDE
WO1	HF	WATSON	DCSC-SYD CENT	DCSC-SYD CENT
WO1	EJ	WEBB	BASC ROCKHAMPTON	BASC ROCKHAMPTON
WO2	GP	APPLEWHITE	HQ TC-A	HQ TC-A
WO2	JH	ARMISTEAD	SCHOOL OF ARTY	SCHOOL OF ARTY

RANK	INIT	NAME	CURRENT UNIT	ADMIN UNIT
WO2	PJ	ARMSTRONG	23 FD REGT	23 FD REGT
WO2	GJ	ATTWATER	8/12 MDM REGT	8/12 MDM REGT
WO2	M	BALFE	4 FD REGT	4 FD REGT
WO2	JM	BARLOW	SCHOOL OF ARTY	SCHOOL OF ARTY
WO2	SJ	BLACK	SCHOOL OF INF	SCHOOL OF INF
WO2	MR	BLAXLAND	2 TRG GP	2 TRG GP
WO2	SJ	BOOTES	6 RAR	6 RAR
WO2	GL	BOYCE	SCHOOL OF ARTY	SCHOOL OF ARTY
WO2	SL	BOYD	ARMY O/S EXCH PERS	OVERSEAS ADMIN CELL
WO2	JA	BREWER	1 TRG GP	1 TRG GP
WO2	MA	BRITTON	HUNTER VALLEY LOG BN	HUNTER VALLEY LOG BN
WO2	J	BURCH	1 FD REGT	1 FD REGT
WO2	TA	BYRNE	1 FD REGT	1 FD REGT
WO2	DB	CALLAGHAN	SCHOOL OF ARTY	SCHOOL OF ARTY
WO2	PHJ	CANNON	4 FD REGT	4 FD REGT
WO2	RJ	CARSBURG	HQ TC-A	HQ TC-A
WO2	DC	CARTER	8/12 MDM REGT	8/12 MDM REGT
WO2	RW	CHAMBERS	7 FD BTY 3 FD REGT	7 FD BTY 3 FD REGT
WO2	MR	CLAYTON	16 AD REGT	16 AD REGT
WO2	GA	COOK	2/10 MDM REGT	2/10 MDM REGT
WO2	SM	COOPER	1 FD REGT	1 FD REGT
WO2	SJ	CRAWFORD	AHU	HQ TC-A
WO2	GF	DENGATE	11 TRG GP	11 TRG GP
WO2	GM	DUDYCZ	DPE	LOCAL ADMIN (AHQ)
WO2	GD	EVANS	LTS	ADF SCHOOL OF LANGUAGES
WO2	PO	FILTNESS	6 TRG GP	6 TRG GP
WO2	JP	FINOCCHIARO	16 AD REGT	16 AD REGT
WO2	NG	FISHER	1 FD REGT	1 FD REGT
WO2	CW	FLAVEL	4 FD REGT	4 FD REGT
WO2	MD	FOWLER	ACATC	ACATC
WO2	BA	FRANKLIN	7 FD REGT	7 FD REGT

<i>RANK</i>	<i>INIT</i>	<i>NAME</i>	<i>CURRENT UNIT</i>	<i>ADMIN UNIT</i>
WO2	WG	FRANKS	P&EE PORT WAKEFIELD	P&EE PORT WAKEFIELD
WO2	I	GARDINER	AACPTC	AACPTC
WO2	SG	GREENWOOD	SCHOOL OF ARTY	SCHOOL OF ARTY
WO2	RG	HART	CATDC	SCHOOL OF ARTY
WO2	DG	HARVEY	APA-S	DCSO VB
WO2	DJ	HICKS	SCHOOL OF ARTY	SCHOOL OF ARTY
WO2	KW	HOGAN	4 TRG GP	4 TRG GP
WO2	MI	JOHNSON	SCHOOL OF ARTY	SCHOOL OF ARTY
WO2	DR	JONES	16 AD REGT	16 AD REGT
WO2	CWG	JOSEPH	HQ TC-A	SCHOOL OF ARTY
WO2	BH	JUNG	HQ TC-A	HQ TC-A
WO2	PT	KENNEDY	SCHOOL OF ARTY	SCHOOL OF ARTY
WO2	KJ	KERLEY	ACATC	ACATC
WO2	RJ	KIERNAN	131 LOC BTY	131 LOC BTY
WO2	BC	KYRWOOD	4 FD REGT	4 FD REGT
WO2	DE	LARTER	SCHOOL OF ARTY	SCHOOL OF ARTY
WO2	SG	LEECH	6/13 FD REGT	48 FD BTY 6/13 FD REGT
WO2	DR	LEHR	23 FD REGT	23 FD REGT
WO2	IB	LEONARD	HUNTER VALLEY LOG BN	HUNTER VALLEY LOG BN
WO2	DJ	LYONS	DCSC-NQ	DCSC-NQ
WO2	PA	MATTHYSEN	AACPTC	AACPTC DET NTH QLD
WO2	DM	MCGINLEY	SCHOOL OF ARTY	SCHOOL OF ARTY
WO2	CJH	MINION	16 AD REGT	16 AD REGT
WO2	GJ	MITCHELL	1 FD REGT	1 FD REGT
WO2	DT	MORAN	HQ TC-A	HQ TC-A
WO2	RJ	MORLAND	2/10 MDM REGT	2/10 MDM REGT
WO2	SJ	MORSE	131 LOC BTY	131 LOC BTY
WO2	ST	MURCOTT	16 AD REGT	16 AD REGT
WO2	GJ	NUNN	1 FD REGT	1 FD REGT
WO2	TA	O'BRIEN	HQ 1 LSG (ODF)	HQ LSF
WO2	MG	PHILLIPS	2/10 MDM REGT	2/10 MDM REGT
WO2	W	PINE	7 FD REGT	7 FD REGT

<i>RANK</i>	<i>INIT</i>	<i>NAME</i>	<i>CURRENT UNIT</i>	<i>ADMIN UNIT</i>
WO2	DF	PIROUET	131 LOC BTY	131 LOC BTY
WO2	GM	POTTER	RMC	RMC
WO2	SW	RILEY	SCHOOL OF ARTY	SCHOOL OF ARTY
WO2	LV	RITCHIE	SCHOOL OF ARTY	SCHOOL OF ARTY
WO2	PM	ROBERTSON	P&EE PORT WAKEFIELD	P&EE PORT WAKEFIELD
WO2	PA	ROBSON	1 FD REGT	1 FD REGT
WO2	MW	SHERER	MNRE	1 RAR
WO2	PM	SIMIC	8/12 MDM REGT	8/12 MDM REGT
WO2	DB	SINGH	SCHOOL OF ARTY	SCHOOL OF ARTY
WO2	RN	SKELTON	SCHOOL OF ARTY	SCHOOL OF ARTY
WO2	KJ	SMITH	ADFA	ADFA
WO2	MS	STREETS	AACPTC	AACPTC
WO2	CK	TALBOT	6/13 FD REGT	16 FD BTY 6/13 FD REGT
WO2	M	TAULETTA	6 RAR	6 RAR
WO2	GC	THOMPSON	16 AD REGT	16 AD REGT
WO2	RJ	THOMPSON	4 FD REGT	4 FD REGT
WO2	RJ	TORNEY	16 AD REGT	16 AD REGT
WO2	R	VAN OPPEN	ARTC	ARTC
WO2	RL	VAN VEEN	DPE	LOCAL ADMIN (AHQ)
WO2	SD	WALTERS	1 FD REGT	1 FD REGT
WO2	PT	WASHFORD	ACATC	ACATC
WO2	CFJ	WATEGO	8/12 MDM REGT	8/12 MDM REGT
WO2	WP	WATKINS	16 AD REGT	16 AD REGT
WO2	C	WHETTON	CATDC	SCHOOL OF ARTY
WO2	KJ	WILLIAMS	LTS	LOCAL ADMIN (AHQ)
WO2	MK	WILLSON	SCHOOL OF ARTY	SCHOOL OF ARTY
WO2	SP	WILSON	4 FD REGT	4 FD REGT
WO2	MH	WILSON	1 FD REGT	1 FD REGT
SGT	KD	ALLEN	16 AD REGT	16 AD REGT
SGT	GJM	ALLIBON-BURNS	4 FD REGT	4 FD REGT
SGT	RE	ANDERSEN	1 FD REGT	1 FD REGT
SGT	EC	ANU	4 FD REGT	4 FD REGT

<i>RANK</i>	<i>INIT</i>	<i>NAME</i>	<i>CURRENT UNIT</i>	<i>ADMIN UNIT</i>
SGT	DC	APPO	ADFRU ADELAIDE	ADFRU ADELAIDE
SGT	ID	ARMSTRONG	1 FD REGT	1 FD REGT
SGT	BL	ARMSTRONG	4 FD REGT	4 FD REGT
SGT	TD	ASPDEN	ARTC	ARTC
SGT	SR	BALDOCK	16 AD REGT	16 AD REGT
SGT	PJ	BAXTER	SCHOOL OF ARTY	SCHOOL OF ARTY
SGT	GW	BEALE	AACPTC	AACPTC
SGT	IG	BENSLEY	1 FD REGT	1 FD REGT
SGT	B	BIERING	SCHOOL OF ARTY	SCHOOL OF ARTY
SGT	DN	BIRSE	SCHOOL OF ARTY	SCHOOL OF ARTY
SGT	ST	BRACKIN	1 FD REGT	1 FD REGT
SGT	PJ	BRIERS	16 AD REGT	16 AD REGT
SGT	SAF	BROWN	8/12 MDM REGT	8/12 MDM REGT
SGT	MS	BUIK	16 AD REGT	16 AD REGT
SGT	CR	BURGESS	16 AD REGT	16 AD REGT
SGT	JE	CARMODY	4 FD REGT	4 FD REGT
SGT	PA	CARTHEW	8/12 MDM REGT	8/12 MDM REGT
SGT	RK	CASEY	MNRE	AACPTC DET VIC
SGT	AJ	CHARLES	4 FD REGT	4 FD REGT
SGT	GT	CHILCOTT	1 FD REGT	1 FD REGT
SGT	CA	CHURCHES	131 LOC BTY	131 LOC BTY
SGT	SJ	CLARK	1 FD REGT	1 FD REGT
SGT	CK	CLIFFORD	SCHOOL OF ARTY	SCHOOL OF ARTY
SGT	F	CRESTA	SCHOOL OF ARTY	SCHOOL OF ARTY
SGT	PW	CRIJNS	AACPTC	AACPTC
SGT	CA	CROUT	2/10 MDM REGT	2/10 MDM REGT
SGT	NW	DAILEY	16 AD REGT	16 AD REGT
SGT	GJ	DAVIES	SCHOOL OF ARTY	SCHOOL OF ARTY
SGT	DJ	DEEBLE	SCHOOL OF ARTY	SCHOOL OF ARTY
SGT	AK	DIX	SCHOOL OF ARTY	SCHOOL OF ARTY
SGT	SR	DRISCOLL	8/12 MDM REGT	8/12 MDM REGT
SGT	DK	DUGGAN	SCHOOL OF ARTY	SCHOOL OF ARTY



<i>RANK</i>	<i>INIT</i>	<i>NAME</i>	<i>CURRENT UNIT</i>	<i>ADMIN UNIT</i>
SGT	CD	ENGLISH	131 LOC BTY	131 LOC BTY
SGT	J	FABRI	4 FD REGT	4 FD REGT
SGT	GAJ	FORREST	4 FD REGT	4 FD REGT
SGT	BJ	FOX	16 AD REGT	16 AD REGT
SGT	WJ	FRANCIS	4 FD REGT	4 FD REGT
SGT	AE	FRANKLIN	16 AD REGT	16 AD REGT
SGT	DS	FREE	8/12 MDM REGT	8/12 MDM REGT
SGT	JB	GARRARD	16 AD REGT	16 AD REGT
SGT	AG	GOOLD	ADFRU SYDNEY	ADFRU SYDNEY
SGT	S	GRAHAM	6 RAR	6 RAR
SGT	MJ	GRAY	ARTC	ARTC
SGT	DR	GRUNDELL	SCHOOL OF ARTY	SCHOOL OF ARTY
SGT	KC	HALL	4 FD REGT	4 FD REGT
SGT	GV	HARDING	8/12 MDM REGT	8/12 MDM REGT
SGT	DJ	HAWKETT	2/10 MDM REGT	2/10 MDM REGT
SGT	MR	HEINE	SCHOOL OF ARTY	SCHOOL OF ARTY
SGT	JJ	HENNESSY	1 FD REGT	1 FD REGT
SGT	MF	HERRICK	131 LOC BTY	131 LOC BTY
SGT	PG	HOLSTEIN	8/12 MDM REGT	8/12 MDM REGT
SGT	HJ	HOOKER	131 LOC BTY	131 LOC BTY
SGT	JW	HORDER	HQ TC-A	HQ TC-A
SGT	AM	HORTLE	16 AD REGT	16 AD REGT
SGT	KAR	JOHANSEN	1 FD REGT	1 FD REGT
SGT	C	JOHNSON	DCSC-NQ	DCSC-NQ
SGT	MA	JOHNSTON	8/12 MDM REGT	8/12 MDM REGT
SGT	PV	JOHNSTON	4 FD REGT	4 FD REGT
SGT	MA	JOHNSTON	SCHOOL OF ARTY	SCHOOL OF ARTY
SGT	WJ	KEITH	1 FD REGT	1 FD REGT
SGT	TL	KENNEDY	6 RAR	6 RAR
SGT	DA	KING	2/10 MDM REGT	2/10 MDM REGT
SGT	DF	KRISTAN	8/12 MDM REGT	8/12 MDM REGT
SGT	SW	LAMONT	ARTC	ARTC

<i>RANK</i>	<i>INIT</i>	<i>NAME</i>	<i>CURRENT UNIT</i>	<i>ADMIN UNIT</i>
SGT	ST	LANCASTER	6 RAR	6 RAR
SGT	WM	LANGFORD	RMC	RMC
SGT	OWE	LEGG	8/12 MDM REGT	8/12 MDM REGT
SGT	MJ	LUCAS	ASC MFO SINAI	ASC MFO SINAI
SGT	AR	MAINSTONE	16 AD REGT	16 AD REGT
SGT	PB	MANOEL	8/12 MDM REGT	8/12 MDM REGT
SGT	DJ	MASON	ACATC	ACATC
SGT	CW	MAYFIELD	8/12 MDM REGT	8/12 MDM REGT
SGT	JJS	MCCONNELL	8/12 MDM REGT	8/12 MDM REGT
SGT	DT	MCGARRY	ADFA	ADFA
SGT	BR	MCINTYRE	8/12 MDM REGT	8/12 MDM REGT
SGT	PJ	MCMILLAN	4 FD REGT	4 FD REGT
SGT	DN	MCRAE	4 FD REGT	4 FD REGT
SGT	PA	MEESTER	4 FD REGT	4 FD REGT
SGT	MV	MLIKOTA	16 AD REGT	16 AD REGT
SGT	CJ	MOORE	4 FD REGT	4 FD REGT
SGT	WT	MORRIS	1 FD REGT	1 FD REGT
SGT	AJ	MORRIS	DARWIN LOG BN	DARWIN LOG BN
SGT	DA	MORRISON	8/12 MDM REGT	8/12 MDM REGT
SGT	ML	MOUNT	1 FD REGT	1 FD REGT
SGT	DAH	MUCHAN	16 AD REGT	16 AD REGT
SGT	PW	NAGLE	P&EE PORT WAKEFIELD	P&EE PORT WAKEFIELD
SGT	RC	NELSON	SCHOOL OF ARTY	SCHOOL OF ARTY
SGT	LV	NELSON	16 AD REGT	16 AD REGT
SGT	D	NUTINI	PTS	PTS
SGT	CA	O'BRIEN	16 AD REGT	16 AD REGT
SGT	GD	O'CONNELL	4 FD REGT	4 FD REGT
SGT	BG	O'CONNOR	SCHOOL OF ARTY	SCHOOL OF ARTY
SGT	CP	O'DONNELL	16 AD REGT	16 AD REGT
SGT	KM	O'LEARY	8/12 MDM REGT	8/12 MDM REGT
SGT	DG	OGDEN	6 RAR	6 RAR
SGT	PJ	OSBORNE	6 RAR	6 RAR

<i>RANK</i>	<i>INIT</i>	<i>NAME</i>	<i>CURRENT UNIT</i>	<i>ADMIN UNIT</i>
SGT	GRL	OSMOND	SCHOOL OF ARTY	SCHOOL OF ARTY
SGT	JT	PARKES	6 RAR	6 RAR
SGT	BG	PEARCE	SCHOOL OF ARTY	SCHOOL OF ARTY
SGT	BA	PEARSON	16 AD REGT	16 AD REGT
SGT	MA	PITT	SCHOOL OF ARTY	SCHOOL OF ARTY
SGT	DH	POLLARD	4 FD REGT	4 FD REGT
SGT	JA	PORTER	P&EE PORT WAKEFIELD	P&EE PORT WAKEFIELD
SGT	AJ	PRICE	8/12 MDM REGT	8/12 MDM REGT
SGT	DT	RAYMENT	8/12 MDM REGT	8/12 MDM REGT
SGT	M	REDDY	SCHOOL OF ARTY	SCHOOL OF ARTY
SGT	CA	RICHARDS	6 RAR	6 RAR
SGT	DL	RODGERS	8/12 MDM REGT	8/12 MDM REGT
SGT	D	ROGERS	16 AD REGT	16 AD REGT
SGT	GM	RYAN	6 RAR	6 RAR
SGT	GVJ	SAINT	HQ 1 BDE	HQ 1 BDE
SGT	DB	SAVILLE	4 FD REGT	4 FD REGT
SGT	M	SCHEIDL	16 AD REGT	16 AD REGT
SGT	RJ	SHEARMAN	16 AD REGT	16 AD REGT
SGT	SJ	SILVER	4 FD REGT	4 FD REGT
SGT	DJ	SINCLAIR	SCHOOL OF ARTY	SCHOOL OF ARTY
SGT	PN	SMITH	131 LOC BTY	131 LOC BTY
SGT	MT	SMITH	4 FD REGT	4 FD REGT
SGT	RJ	STEAD	SCHOOL OF ARTY	SCHOOL OF ARTY
SGT	MJ	SULLIVAN	4 FD REGT	4 FD REGT
SGT	KS	SUND	4 FD REGT	4 FD REGT
SGT	GM	SUTCLIFFE	AACPTC	HQ 3 BDE
SGT	PA	TEMETE	4 FD REGT	4 FD REGT
SGT	DH	THEISS	8/12 MDM REGT	8/12 MDM REGT
SGT	CS	TRIFFETT	P&EE GRAYTOWN	P&EE GRAYTOWN
SGT	SJ	VOSS	131 LOC BTY	131 LOC BTY
SGT	DI	WARREN	RMC	RMC
SGT	JD	WESTCOTT	AACPTC	AACPTC DET VIC

<i>RANK</i>	<i>INIT</i>	<i>NAME</i>	<i>CURRENT UNIT</i>	<i>ADMIN UNIT</i>
SGT	PA	WESTCOTT	131 LOC BTY	131 LOC BTY
SGT	TJ	WHISH	6 RAR	6 RAR
SGT	TP	WHITWAM	1 FD REGT	1 FD REGT
SGT	PD	WINTER	RMC	RMC
SGT	AM	WITTKOPP	SCHOOL OF ARTY	SCHOOL OF ARTY
SGT	CJ	YANNER	SCHOOL OF ARTY	SCHOOL OF ARTY

---

**NORTH FORT MUSEUM REPORT  
BY THE CHAIRMAN OF THE RAA HISTORICAL COMPANY  
FOR THE RAA REGIMENTAL COMMITTEE MEETING  
ON 17<sup>th</sup> AND 18<sup>th</sup> OCTOBER 1998**

### **Introduction**

There is never a dull moment at the North Fort Museum. The pace of activities increases month by month and the outcomes from the efforts of many people and support organisations are significant in anyone's terms.

This report provides information on the RAA Historical Company, what happened in FY 97/98 at the North Fort Museum, what is planned for FY 98/99 and concludes with a commercial and several acknowledgments.

### **RAA Historical Company**

From the time the School of Artillery moved to Puckapunyal and the Directorate of Artillery was disbanded in late 1997, the RAA Historical Society's (RAAHS) Committee of Management ceased to function. To continue the management of the North Fort Museum, an organisation was needed to replace this committee.

In November 1997, a Board Designate of the proposed new RAA Historical Company (RAAHC) was agreed by the RAAHS Committee of Management and, as it was confidently anticipated that the new company would be incorporated in February 1998, Colonel Don Tait (Retd), the Acting President of the RAAHS Committee of Management decided to manage the Museum with the Board Designate from January 1998 until the RAAHC was incorporated. Due to problems with incorporation, this arrangement has had to continue until 24 September 1998 when the company was formally established.

The Board of the RAAHC comprises:

- Colonel D.M. Tait (Retd) – Chairman;
- Colonel J.C. Kirkwood – Deputy Chairman;
- Colonel M.C. Crawford (Retd) – Secretary;
- Lieutenant Colonel B. L. Lloyd (Retd) – Treasurer;
- Lieutenant Colonel J. L. Macpherson (Retd) – Director;
- Ms L.G. Graham – Director;
- Mr. K.D. Browning – Director; and
- Mr. A.R. Kennedy – Director.

The company is commercially organised and its business units are as follows:

- RAA Historic and Traditions' Business Unit – Linda Graham, Executive Director;
- Museum and Fortifications' Business Unit – Don Tait, CEO;
- Commercial and Administration Business Unit – Kev Browning, Executive Director;

- Human Resources' Business Unit – John Kirkwood, Executive Director; and
- Promotions and Marketing Business Unit – John Macpherson, Executive Director.

The 1996 Development Plan and the North Fort Vision remain the core documents for progressing the North Fort Museum towards a national and international artillery venue. These documents were used by the Board to develop its FY 98/99–business plan and budget.

### **FY 97/98**

The business units have worked extremely well providing good line management, utilisation of scarce resources and sound outcomes for all areas of the Museum (the North Fort Museum comprises the Museum, 9.2 inch Battery Fortifications, Defence of Sydney Monument, Observation Platform, shop complex and picnic and barbecue area). Their achievements throughout the year, ably supported by our Defence personnel, include:

- arranging manpower support from RAA units across Australia to supplement the work force provided by a small number of active RAAHS members and the Friends of North Fort;
- significant development in the library and research areas;
- completion of the Gun Park in Display Building 4;
- the ordering and delivery of new internal signs;
- further restoration to the 9.2 inch fortifications including significant work by 7 Fd Regt in the Engine Room;
- road refurbishment;
- formal tour guide training for an additional twenty-five tour guides;
- A grant submission for the Memorial Walk to the Department of Veterans' Affairs (the Memorial Walk will comprise monuments for the Colonial Wars, WW1, WW2, Post 1995 Campaigns and Peace-keeping Operations and the Home Front. It will be erected along a bush track that links up with the Defence of Sydney Monument); and
- The planning process for FY 98/99.

### **FY 98/99**

For FY 98/99 it is planned to achieve the following:

- Open a new shop complex comprising Coffee and Fort shops that are fully equipped, stocked and management by a part time employee (this complex is located in the eastern MQ, which has been gutted and refurbished. It will be opened for business from 17 October 1998 – the cost exceeds \$15000);
- re-organise the administrative complex and provide facilities in it for members (this complex is located in the western MQ, which has been refurbished – the cost \$5000);
- fully utilise the Observation Platform as a function area (discussions with a wedding car, three catering and events companies to progress the function aspects of the platform are proceeding);
- improve the promotion and marketing of the Museum;
- raise the remaining funds (\$50000) for the Memorial Walk and, funds permitting, construct the Walk (the Walk will cost \$134000);

- raise \$65000 to erect a high technology camouflage net over the Northern Gun Emplacement and to complete the displays in it;
- erect the new internal signs throughout the Museum and order, purchase and erect external signs leading to the Museum (overall cost \$10000);
- establish a Sponsors' Hall and Artillery Hall of Fame in Artillery Hall (\$8 to \$10000);
- complete the design and costing of the Colonial Exhibition and the Science and Mathematics Display in Artillery Hall (\$10000 in FY 99/00);
- establish, using 8/12 Mdm Regt, the carpentry and metal workshops as working displays (the project will cost about \$5000);
- complete the ammunition markings on the 9.2 inch dummy rounds that were donated by the RAA Association (NSW) Inc and position them in the Shell Store of the Northern Gun Emplacement;
- purchase additional 9.2 inch dummy rounds from another donation by RAA Association (NSW) Inc;
- expand the membership of the RAAHC and improve the information flow to them through the new Cannonball periodical;
- continue the networking with RAA units and their support to the Museum (1, 4, 7 and 23 Fd Regts, 8/12 Mdm Regt, 16 AD Regt and 201 Regional Cadet Unit have or are about to give support to the Museum);
- formalise the tour guide training package in to a TAFE accredited course and train more tour guides; and
- sign an agreement with Defence to operate the Museum (this agreement is a formal contract with Army to operate the North Fort Museum by the RAAHC. The Board has completed the necessary steps to progress the document and now waits for Army to complete its lengthy staffing process).

This is an ambitious program for FY 98/99. It has to be achieved if the RAAHC is to fulfil the vision for the future of the Museum, particularly establishing its internal status for the Olympics. To do it the North Fort Museum needs financial and personnel support.

## Commercial

On 4 December, St Barbara's Day, there will be a cocktail party on the Observation Platform at the North Fort Museum from 1900 to 2030 hours. It is being sponsored by 7 and 23 Fd Regts, 8/12 Mdm Regt, RAA Association (NSW) Inc, Qantas and the RAAHC. The function will be an annual event.

It is an all ranks, mixed function and the cost per person is \$10. The dress is shirt, tie and slacks. Coats are optional.

There are door prizes. The first prize is two return economy tickets to Singapore. Thank you to Qantas.

## Acknowledgments

The last year has been one of considerable change and progress at North Fort. Developing and operating the Museum in isolation has not been without its difficulties and frustrations. It has been made easier through the efforts of a great many people and organisations. It would be impossible to list them all and therefore the Board of the RAAHC thanks them collectively for their assistance. However, special thanks go to:

- all the RAA units that have assisted with the development of the Museum;
- MAJ Kel Crozier for his exceptional performance as the Museum Co-ordinator and as a member of the management team of the Museum;

- Steve Crawford for his outstanding work as the Curator of the Museum and for his untiring involvement in the day to day operations of it; and
- our many sponsors for their support and donations.

### **Conclusion**

The North Fort Museum has come a long way in the last twelve months. There is a lot still to be done for it to be the show place of the RAA and an International venue. There are many people and organisations committed to achieving these outcomes, however, more people and resources are needed.

D.M. TAIT

COL (Retd)

Chairman